



**T&S BRASS AND BRONZE WORKS, INC.**  
 2 Saddleback Cove / P.O. Box 1088  
 Travelers Rest, SC 29690

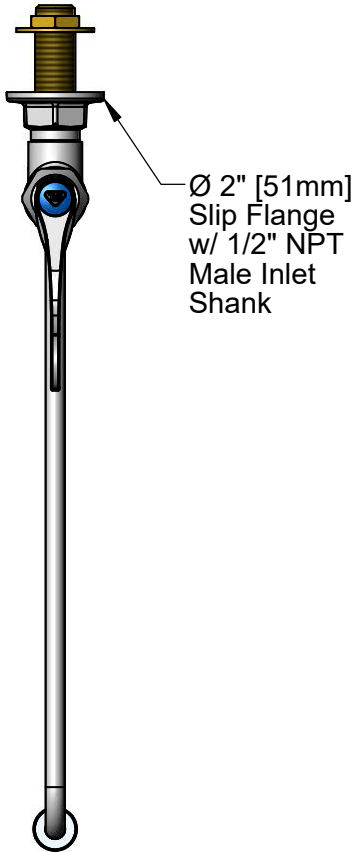
Model No.  
**B-0578-01**

Item No.

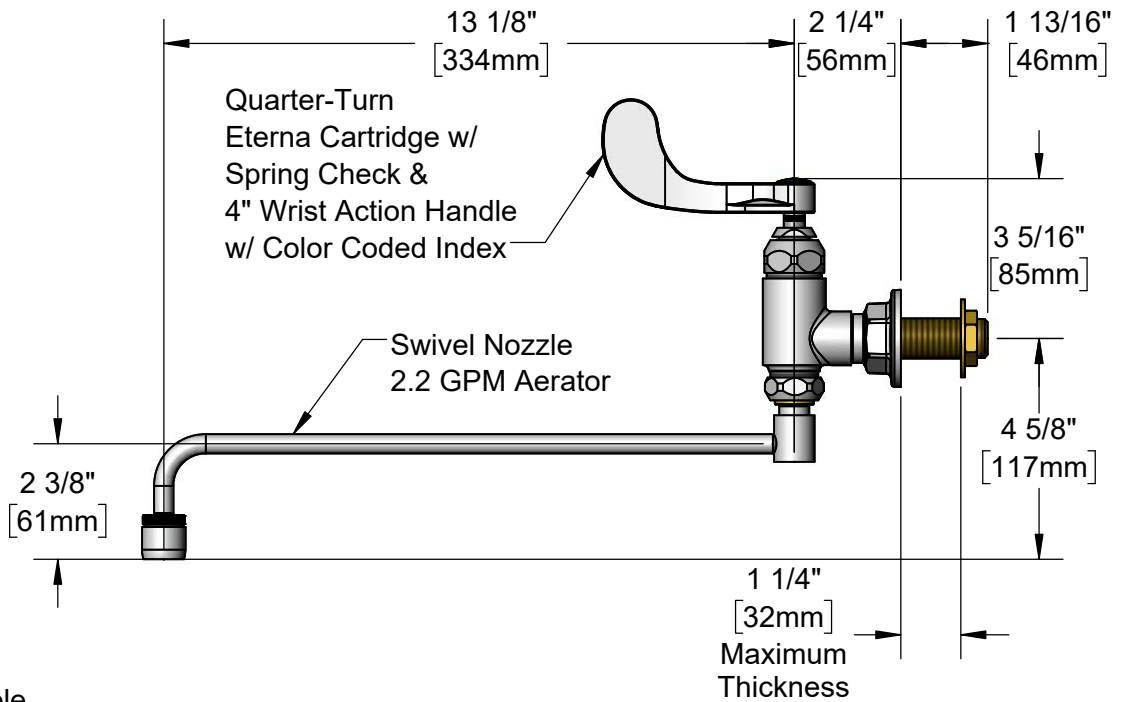
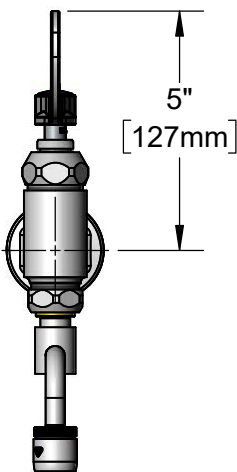
Travelers Rest, SC: 800-476-4103 • Simi Valley, CA: 800-423-0150 • Fax: 864-834-3518 • www.tsbrass.com

This Space for Architect/Engineer Approval

Job Name \_\_\_\_\_ Date \_\_\_\_\_  
 Model Specified \_\_\_\_\_ Quantity \_\_\_\_\_  
 Customer/Wholesaler \_\_\_\_\_  
 Contractor \_\_\_\_\_  
 Architect/Engineer \_\_\_\_\_



**ADA Compliant**



Rough-In Requirement:  
 Ø 1" [25mm] Mounting Hole

Product Specifications:

Wall Mount Range Faucet, Quarter-Turn Eterna Cartridge w/ Spring Check, 4" Wrist Action Handle, Swivel Nozzle w/ 2.2 GPM Aerator Outlet & 1/2" NPT Male Inlet Shank & Slip Flange

Product Compliance:

ASME A112.18.1 / CSA B125.1  
 NSF 61 - Section 9  
 NSF 372 (Low Lead Content)  
 ANSI A117.1 (ADA)



# T&S BRASS AND BRONZE WORKS, INC.

2 Saddleback Cove / P.O. Box 1088  
Travelers Rest, SC 29690

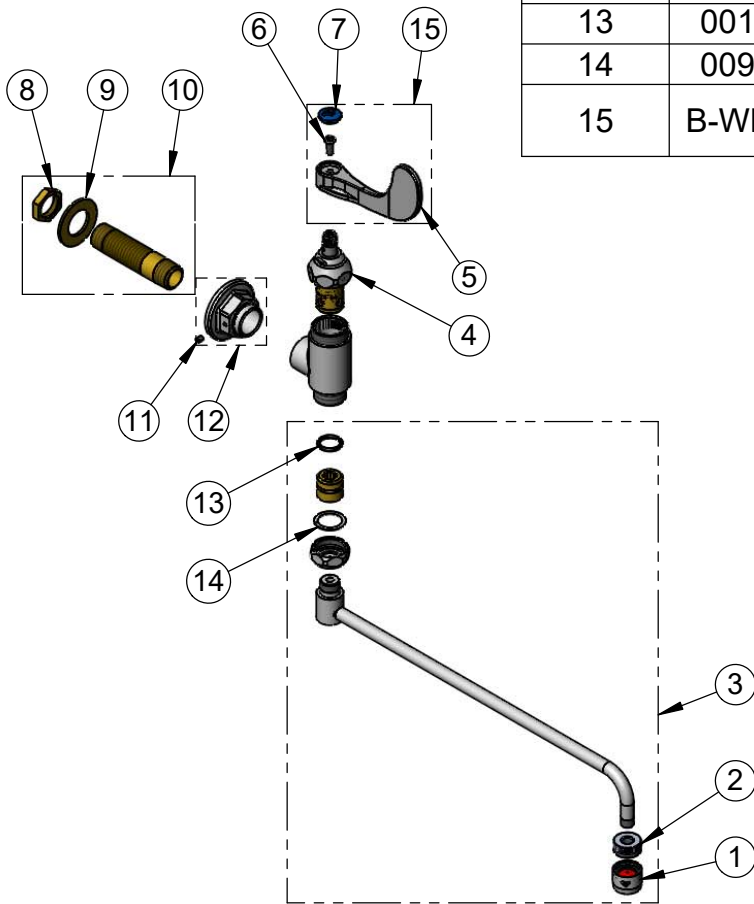
Model No.

**B-0578-01**

Item No.

Travelers Rest, SC: 800-476-4103 • Simi Valley, CA: 800-423-0150 • Fax: 864-834-3518 • www.tsbrass.com

ITEM NO.	SALES NO.	DESCRIPTION
1	B-0199-01	2.2 GPM Aerator, 55/64-27 UN Female
2	001624-25	Adapter, 1/8" Female x 55/64-27 UN Male
3	002868-40	Swivel Nozzle w/ 2.2 GPM Aerator
4	012443-40NS	Quarter-Turn Eterna Cartridge w/Spring Check, RTC
5	B-WH4-NS	Wrist Action Handle - New Style
6	000925-45	Lab Handle Screw
7	018506-19NS	Blue Button Index, Press-in
8	002954-45	Shank Lock Nut
9	000999-45	Brass Lock Washer
10	B-0426	1/2" NPT x 3 3/8" Supply Nipple
11	150F	8-32UN Set Screw
12	B-0460	1/2" Slip Flange
13	001074-45	O-Ring
14	009538-45	Swivel Washer
15	B-WH4C-NS	4" Wrist Action Handle w/ Blue Index & Screw



**Product Specifications:**

Wall Mount Range Faucet, Quarter-Turn Eterna Cartridge w/ Spring Check, 4" Wrist Action Handle, Swivel Nozzle w/ 2.2 GPM Aerator Outlet & 1/2" NPT Male Inlet Shank & Slip Flange

**Product Compliance:**

ASME A112.18.1 / CSA B125.1  
NSF 61 - Section 9  
NSF 372 (Low Lead Content)  
ANSI A117.1 (ADA)