

RNF-1100

Nugget Ice Machine

Project _____
Item _____
Quantity _____
CSI Section 11400
Approved _____
Date _____

RNF-1100
 Nugget Ice Machine

Models

-
- RNF-1100A
-
- RNF-1100W



RNF-1100A Nugget Ice Machine on D-570 Bin

Standard Features

- Bite sized nugget with 85% ice content offers one of the best ice to water ratios for maximum cooling and minimal drink dilution
- Up to 1158 lbs. (525 kg) of daily ice production
- Perfect for beverage applications, dispensing, smoothies, and cold therapy
- Can be paired with any 30" Multiplex beverage dispenser for an unbeatable soft-drink experience
- High load maintenance free bearings for enhanced reliability
- Evaporator is designed for maximum quality and operating life

COMMERCIAL WARRANTY

ICE MAKER 3 YEAR PARTS	COMPRESSOR 3 YEAR LABOR	5 YEAR PARTS 3 YEAR LABOR
--	---	--

Specifications

- | | |
|--|---|
| BTU Per Hour:
7,500 (average)
10,900 (peak) | Operating Limits: <ul style="list-style-type: none"> • Ambient Temperature Range: 50°-100°F (14.4°-37.8°C) • Water Temperature Range: 45°-90°F (7.2°-32.2°C) • Water Pressure Ice Maker Water In: Min. 20 psi (137.9 kPa) Max. 70 psi (483 kPa) |
| Compressor:
Nominal rating: 1.5 HP | |
| Refrigerant: R404A | |

Ice Machine Electric

- 208-230/60/1 standard
(230/50/1 also available.)
- | | |
|----------------------------------|-------------------------|
| Minimum Circuit Ampacity: | Air-cooled: 14.2 amps |
| | Water-cooled: 13.7 amps |
- Maximum fuse size:** Air- and Water-cooled: 20 amps

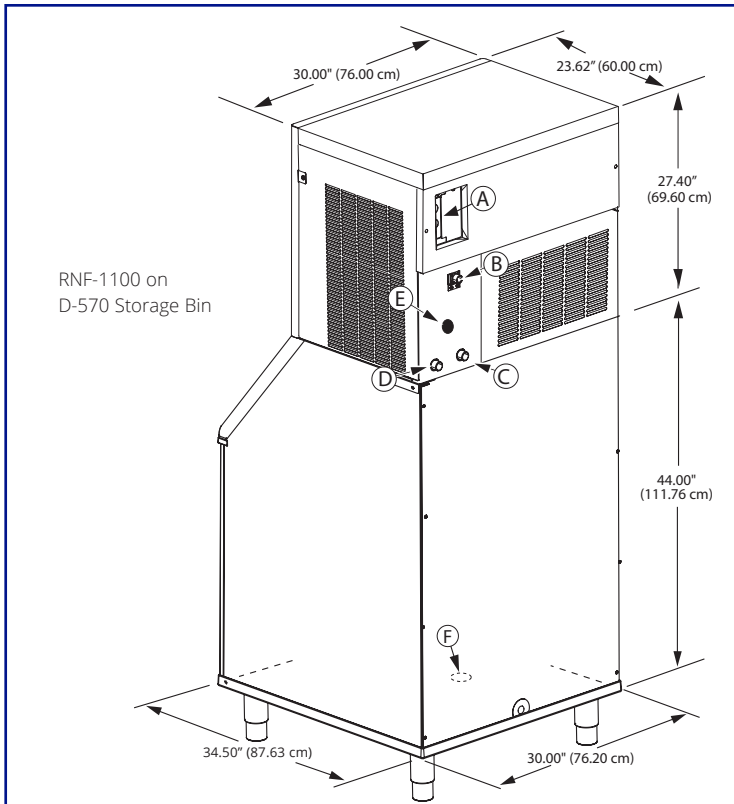
Ice Shape

Nugget ice consists of small pieces ranging from 3/8" to 1/2" in width and length. Offers a 85% ice to water ratio with a soft, chewable texture while still providing maximum cooling effect and dispensability.



Ice shown actual size





RNF-1100 on D-570 Storage Bin

Installation Note -
Minimum installation clearance: Top/sides: 8" (20.32 cm), back: 5" (12.7 cm).

Dispenser Note -
Verify with the dispenser manufacturer that the correct agitator and deflector kit for nugget ice dispensing is included with your dispenser purchase.

- (A) Electrical Entrance (2) Options
- Air-Cooled Units:**
 - (B) 3/8" F.P.T. Ice Making Water Inlet
 - (C) 1/2" M.P.T. Ice Making Water Drain
- Water-Cooled Unit Option:**
 - (B) 3/8" F.P.T. Condenser Inlet
 - (C) 1/2" M.P.T. Condenser Drain
 - (D) 1/2" M.P.T. Ice Making Water Drain
 - (E) 3/8" F.P.T. Ice Making Water Inlet
 - (F) 3/4" F.P.T. Bin Drain

Space Saving Designs

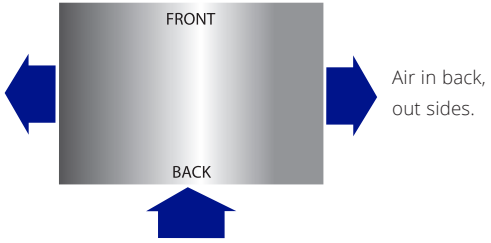


RNF-1100 D-570

Height	77.36" 196.50 cm
Width	30.00" 76.20 cm
Depth	34.50" 87.63 cm
Bin Storage	430 lbs. 195 kgs

Height includes adjustable bin legs 6.00" to 7.00", (15.24 to 17.78 cm) set at 6.00" (15.24 cm).

Air Flow Top View



Specifications

	Model	Ice Shape	Ice Production 24 Hours		Power Usage kWh/100 lbs. @ 90°Air/70°F 32°Air/21°C Water	Water Usage/100 lbs. 45.4 kgs of ice	
			70°Air/ 50°F Water 21°Air/10°C Water	90°Air/ 70°F Water 32°Air/21°C Water		Potable Water	Condenser Water
AIR-COOLED	RNF-1100A	Nugget	1078 lbs.	825 lbs.	4.94	12 Gal.	-
			489 kgs	374 kgs		45.4 L	-
WATER-COOLED	RNF-1100W	Nugget	1158 lbs.	960 lbs.	3.67	12 Gal.	131 Gal.
			525 kgs	435 kgs		45.4 L	496 L

Order ice storage bin separately. "A", or "W" following model number indicates "Air", or "Water" condensing unit. Will not accept AuCS accessory.

Welbilt reserves the right to make changes to the design or specifications without prior notice.