



DOUGH DIVIDER & ROUNDER



Semi-Automatic Dough Divider/Rounder, Available in 15, 22, 30, 36 & 54 Portions, Includes (3) Sanitary Plastic Rounding Plates, Stainless Steel Cutting Blades, Wheel Mounted, Interchangeable Dough Head, ETL



PROJECT _____

ITEM NO. _____

NOTES _____

MODEL NUMBER: **DSA315, DSA322, DSA330, DSA336, DSA354**



FEATURES

- Semi-Automatic Dough Cutting & Rounding
- Note: Portion Size Dependent Upon Dough Plates (reference table below)
- Hourly Production up to 1,200 Pieces (depending operator and workflow)
- Sanitary Dough Press Head
- Three (3) Sanitary Rounding Plates Included
- Divides Dough with an Optimal Absorption Ratio from 55-65% (dependent on dough formulation)
- Easy Snap On and Off Head Cover for Easy Cleaning
- Self-Lubricating

CONSTRUCTION

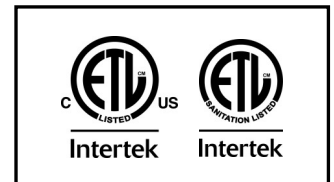
- Stainless Steel Cutting Knives
- Wheel Mounted
- 6' Power Cord
- Stainless Steel Feet to Prevent Rusting
- Anti-Vibration Pad for Quiet Operation

OPTIONS & ACCESSORIES

- Stainless Steel Construction [Suffix I]
- Additional Press Heads (DSAHXX)
- Additional Dough Plates
 - DSA315: FMF550A
 - DSA322: FMF551A
 - DSA330: FMF553A
 - DSA336: FMF558A
 - DSA354: FMF559

WARRANTY

- One Year Labor & Two Year Parts



Model	Weight	Overall Dimensions			Portions	Portion Weight	
		W	D	H (without handle)		Min.	Max.
DSA315	628 (285)	24 7/16" (621)	26" (660)	52 3/8" (1330)	15	2.1 (60)	7 (200)
DSA322	628 (285)	24 7/16" (621)	26" (660)	52 3/8" (1330)	22	1.4 (40)	4.8 (135)
DSA330	628 (285)	24 7/16" (621)	26" (660)	52 3/8" (1330)	30	1 (30)	3.5 (100)
DSA336	628 (285)	24 7/16" (621)	26" (660)	52 3/8" (1330)	36	0.05 (25)	0.14 (66)
DSA354	628 (285)	24 7/16" (621)	26" (660)	52 3/8" (1330)	54	0.03 (15)	0.08 (40)

SPECIFICATIONS SUBJECT TO CHANGE WITHOUT NOTICE

KCL & REVIT DRAWINGS UPON REQUEST

REVISION B | 5/27/2021

Follow Us



Doyon

5600 13th Street, Menominee, MI 49858

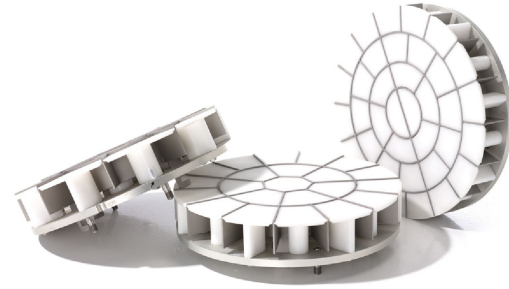
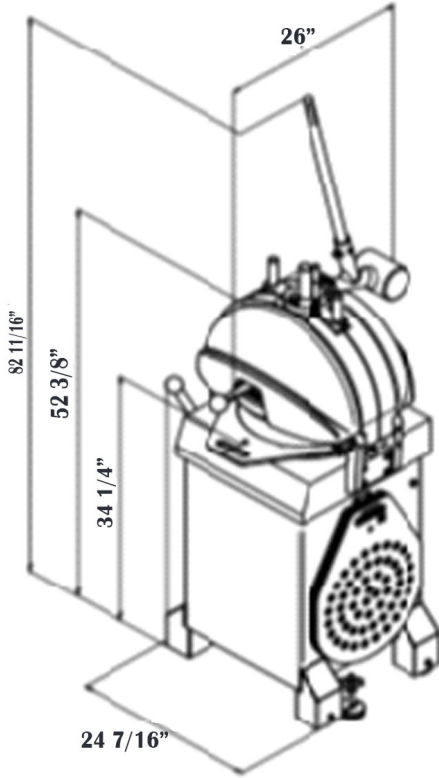
906.863.4401 | 800.338.9886 | www.doyon.qc.ca





PROJECT _____
 ITEM NO. _____
 NOTES _____
 MODEL NUMBER: DSA315, DSA322, DSA330, DSA336, DSA354

DRAWINGS



INTERCHANGEABLE DOUGH PRESS HEADS (DSAHXX)



DIVIDER PLATE (FMF3XX)

Model	Electrical System			
	Volts	Amps	Phases	NEMA
DSA315	120	8	1	5-15P
DSA322	120	8	1	5-15P
DSA330	120	8	1	5-15P
DSA336	120	8	1	5-15P
DSA354	120	8	1	5-15P

NEMA 5-15P



Due to periodic changes in designs, methods, procedures, policies and regulations, the specifications contained in this sheet are subject to change without notice. While Doyon exercises good faith efforts to provide information that is accurate, we are not responsible for errors or omissions in information provided or conclusions reached as a result of using these specifications. By using the information provided, the user assumes all risks in connection with such use.

