

**NU-VU**

CONVECTION OVEN





PROJECT \_\_\_\_\_

ITEM NO. \_\_\_\_\_

NOTES \_\_\_\_\_

MODEL NUMBER: **NC03**



**FEATURES**

- Temperatures reaching 425°F (218°C)
- Electromechanical Controls
- Indicator Light for Thermostat
- Door Switch Cutoff for Fan Blower
- Adjustable Buzzer Volume
- 60 Minute Timer

**CONSTRUCTION**

- 4" Adjustable Legs
- Stainless Steel Construction
- Press-Fit Removable Gasket for Easy Cleaning
- Dual-Pane, Cool To Touch Glass Door
- Life Up Removable Side Racks
- Left-Hinged Door

**OPTIONS & ACCESSORIES**

- Wire Shelf [98-1227-A]
- Cart w/ Pan Slides [98-9450]

**CLEARANCES**

- 4" [All Sides of Unit]

**WARRANTY**

- One Year Labor & Two Year Parts



| Model | Crated Weight | Overall Dimensions |               |               | Interior Dimensions |               |               | Pan Capacity<br>(13"x18") | Shelf Spacing |
|-------|---------------|--------------------|---------------|---------------|---------------------|---------------|---------------|---------------------------|---------------|
|       |               | W                  | D             | H             | W                   | D             | H             |                           |               |
| NC03  | 140 (64)      | 29 1/8" (740)      | 27 7/8" (708) | 21 1/2" (546) | 18 3/8" (467)       | 14 3/8" (365) | 11 3/4" (298) | 3                         | 3 1/2" (89)   |

SPECIFICATIONS SUBJECT TO CHANGE WITHOUT NOTICE

KCL & REVIT DRAWINGS UPON REQUEST

REVISION B | 7/13/2021

Follow Us



NU-VU

5600 13th Street, Menominee, MI 49858

906.863.4401 | 800.338.9886 | www.doyon.qc.ca





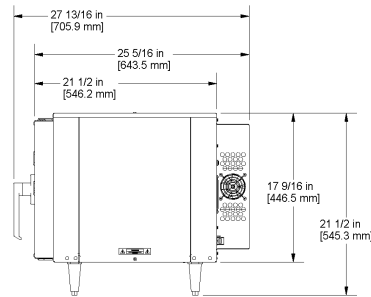
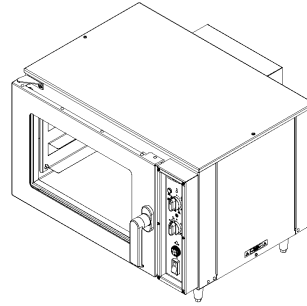
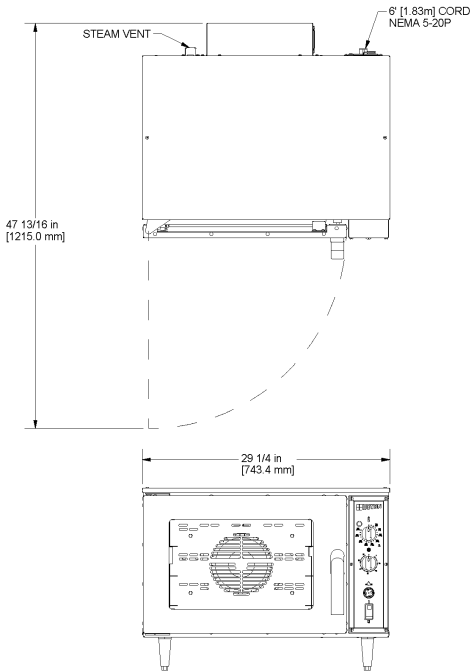
PROJECT \_\_\_\_\_

ITEM NO. \_\_\_\_\_

NOTES \_\_\_\_\_

MODEL NUMBER: **NC03**

**DRAWINGS**



**ELECTRICAL SYSTEM**

| Model | Gas System |      |      | Electrical System *ground wire not included |        |      |     |        |    |       |
|-------|------------|------|------|---|--------|------|-----|--------|----|-------|
|       | BTU        | D.H. | G.I. | Volts                                       | Phases | Amps | kW  | Wires* | Hz | NEMA  |
| NC03  | -          | -    | -    | 120   | 1      | 16   | 1.7 | 2      | 60 | 5-20P |

SPECIFICATIONS SUBJECT TO CHANGE WITHOUT NOTICE

KCL & REVIT DRAWINGS UPON REQUEST

REVISION B | 7/13/2021

Follow Us



NU-VU

5600 13th Street, Menominee, MI 49858

906.863.4401 | 800.338.9886 | www.doyon.qc.ca

