



Limited One Year Warranty
T&S warrants to the original purchaser (other than for purposes of resale) that such product is free from defects in material and workmanship for a period of one (1) year from the date of purchase. During this one-year warranty period, if the product is found to be defective, T&S shall, at its options, repair and/or replace it. To obtain warranty service, products must be returned to...

T&S Brass and Bronze Works, Inc.
Attn: Warranty Repair Department
2 Saddleback Cove
Travelers Rest, SC 29690

Shipping, freight, insurance, and other transportation charges of the product to T&S and the return of repaired or replaced product to the purchaser are the responsibility of the purchaser. Repair and/or replacement shall be made within a reasonable time after receipt by T&S of the returned product. This warranty does not cover items which have received secondary finishing or have been altered or modified after purchase, or for defects caused by physical abuse to or misuse of the product, or shipment of the products.

Any express warranty not provided herein, and any remedy for Breach of Contract which might arise, is hereby excluded and disclaimed. Any implied warranties of merchantability or fitness for a particular purpose are limited to one year in duration. Under no circumstances shall T&S be liable for loss of use or any special consequential costs, expenses or damages.

Some states do not allow limitations on how long and implied warranty lasts or the exclusion or limitation of incidental or consequential damages, so the above limitations or exclusions may not apply to you. Specific rights under this warranty and other rights vary from state to state.

P/N: 098-005910-45 Rev.2
Date: 980504
Drawn: CW
Checked: MAB 7-23-98
Approved: MVW 7-23-98

Installation and Maintenance Instructions



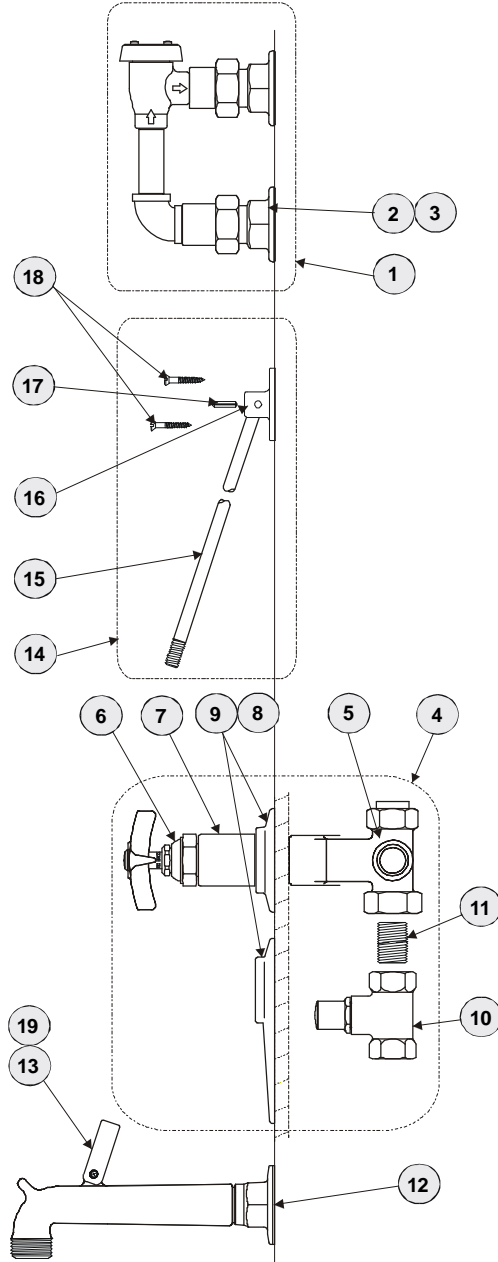
B-0695 Service Sink Fittings with Concealed By-Pass Mixing Valves

**Deutsch: Installations- und
Wartungsanleitungen**

**Español: la Instalación y las
Instrucciones de
Mantenimiento**

**Français: les Instructions
d'Installation et
d'Entretien**

Exploded View



* Some items are listed for instructional purposes and may not be sold as separate parts.

Part Number Guide

Vacuum Breaker

1	Asm, Vacuum Breaker	B-0929-A
2	Asm, Coupling Flange	002893-40
3	Washer, Coupling Nut	001019-45

Mixing Valve Assembly

4	Asm, By-Pass Mixing Valve	B-1035
5	Body, Valve	*
6	Asm, Spindle (Eterna) Hot	005960-40
7	Escutcheon Tube	*
8	Escutcheon	*
9	Set Screw, Escutcheon Flange	*
10	Loose Key Stop	009745-45
11	Nipple, Close 1/2"	*

Nozzle Assembly w/ Brace

19	Asm, Nozzle w/ Brace	B-0671-POL
12	Flange	000013-40
13	Asm, Nozzle	*
14	Asm, Upper Nozzle Support	009546-40
15	Support Rod	*
16	Flange, Support	*
17	Roll Pin	*
18	Screw, Wall Mount	000915-45

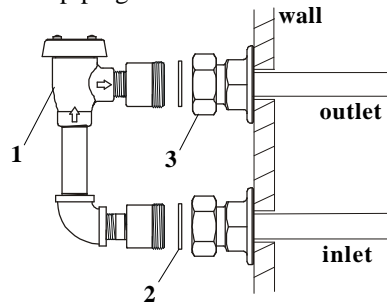
General Instructions

Installation: (Vacuum Breaker)

1. Drill holes 3-3/4" center-to-center in wall where you will be installing no. 1.

Note: Please consult applicable plumbing codes for proper installed height of no. 1 over outlet of no. 13.

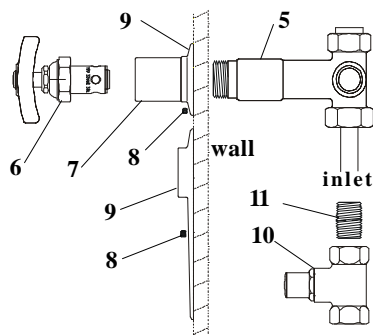
2. Remove no. 3 from no. 1, install no. 3 onto piping.



3. Reattach no. 1 to no. 3, making sure no. 2 is in place and tighten with a wrench.

Installation: (Faucet Body)

4. After unpacking no. 4, remove no. 6, no. 7, no. 8 and no. 9 from no. 5. (Loosen no. 8 at base of no. 9, slide both off no. 5.)



Use no. 10 and no. 11 for B-0695 ST and B-0696 ST models

5. (For B-0695 ST and B-0696 ST models, add no. 10 by using no. 11 to join the couplings together.)

Make connections to no. 4:

B-0695: 1/2" IPS (Iron Pipe Size) female union inlets; 1/2" close nipples.

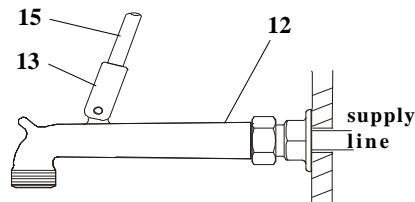
B-0696: 5/8" union inlets; must solder copper piping to inlets.

B-0695 ST: use B-0416 stops; 1/2" NPT (National Pipe Thread) piping.

B-0696 ST: installer must supply 5/8" solder joint to 1/2" NPT (National Pipe Thread) adapter in order to attach supply lines to no. 10.

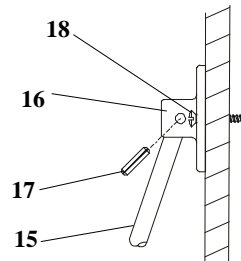
Installation: Nozzle

6. Attach no. 12, onto supply pipe; screw no. 15 into no. 13 attachment.



7. Mark holes on wall for attachment of no. 16; use provided no. 18 to secure no. 16 to wall.

8. Insert no. 17 into hole of no. 16.



9. Turn on water and check for leaks.

See flow diagram on page 8.

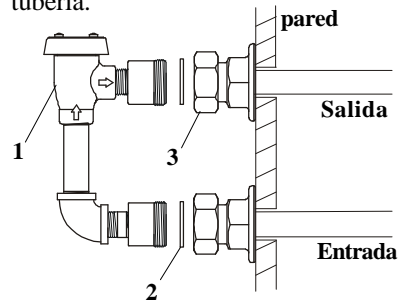
Instrucciones Generales

Instalación: (Anti-sifón)

1. Perfore huecos de 9.5cm de centro a centro en la pared donde la parte No.1 será instalada.

Nota: Por favor consulte codigos aplicables de plomería para la apropiada altura de instalación de la parte No.1 sobre el surtido de la parte No.13.

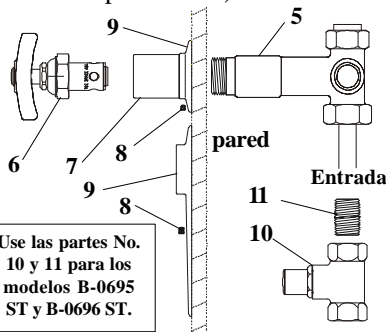
2. Remueva la parte No.3 de la parte No.1, instale la parte No.3 en la tubería.



3. Reemplace la parte No.1 a la parte No.3, asegurandose que la parte No.2 esté en su sitio y aprete con una llave.

Instalación: (Canilla)

4. Después de desempacar la parte No.4, remueva las partes No.6, No.7 y No.8 de la parte No.5. (Afloje la parte No.8 a la base de la parte No.9, deslice ambos de la parte No.5.)



Use las partes No. 10 y 11 para los modelos B-0695 ST y B-0696 ST.

5. (Para modelos B-0695 ST y B-0696 ST, agregue la parte No.10 usando la parte No.11 para unir los enganches.)

Para Hacer Conexiones a la parte No.4:

B-0695: 1/2" IPS (Tamaño de tubería de hierro) entradas de uniones femeninas tubo enroscado corto de 1/2".

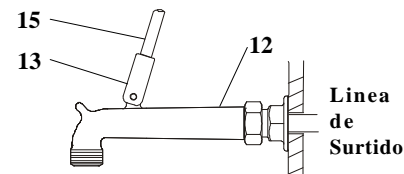
B-0696: Uniones de entrada de 5/8" tiene que soldar tubería de cobre a las entradas.

B-0695 ST: Use pares modelo B-0416; tubería NPT (Rosca Nacional De Tubo).

B-0696 ST: El instalador debe de surtir la coyuntura soldada de 5/8" al adaptador de 1/2" NPT (Rosca Nacional De Tubo) en orden de unir las líneas de surtido a la parte No.10.

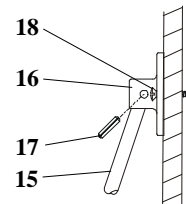
Instalación: Boquilla

6. Junte la parte No.12 a la línea de surtido; atornille la parte No.15 dentro del encaje de la parte No.13.



7. Para colocar la parte No.16 marque los huecos en la pared; para mantener la parte No.16 use la parte No.18 que esta surtida.

8. Inserte la parte No.17 dentro del hueco de la parte No.16.



9. Abra la fuente de agua e inspeccione por filtraciones.

Vea el diagrama de desague en la pagina 8.

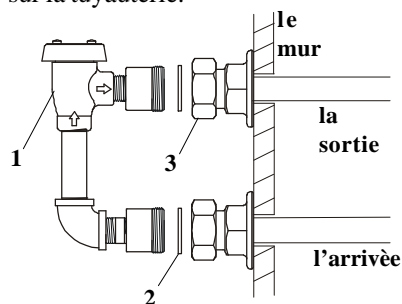
Instructions Générales

L'Installation: La Vanne-Caisse-Vide

1. Percer les trous 9.5cm de centre-à-centre où vous aller installer N°.1.

Noter: Prier consulter les codes plomberies applicables pour la hauteur correcte de l'installation de N°.1 au-dessous-de la sortie de N°.13.

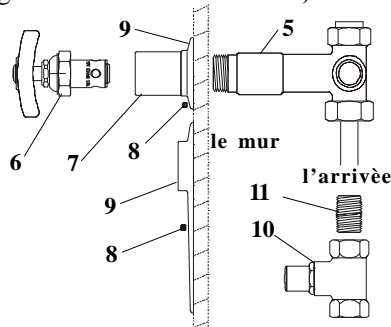
2. Enlever N°.3 de N°.1, installer N°.3 sur la tuyauterie.



3. Réattacher N°.1 à N°.3, soyez certain que N°.2 être à sa place et resserrer avec une clef.

L'Installation: Du Robinet

4. Après on vider la boîte, enlever N°.6, N.7, N.8 et N°.9 de N°.5. (Desserrer N°.8 à base de N°.9, faire glisser tous les deux de N°.5.)



Utiliser N°.10 et N°.11 pour les modèles B-0695 et B-0696 ST

5. (Pour les modèles B-0695 et B-0696 ST, ajouter N°.10 en utilisant N°.11 pour joindre les raccords ensemble)

Faire les branchements à N°.4:

B-0695: les arrivées unions IPS (Iron Pipe Size) de 1/2"; les raccords proches de 1/2".

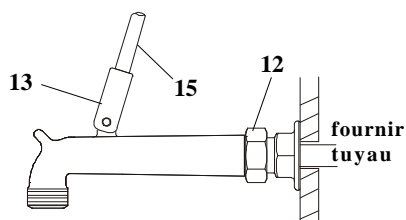
B-0696: les arrivées unions de 5/8"; on devoir souder les tuyaux cuivres aux arrivées.

B-0695 ST: utiliser les arrêts B-0416; le tuyau NPT (National Pipe Thread) de 1/2".

B-0696 ST: L'installateur devoir fournir le joint de soudure de 5/8" à l'adaptateur NPT (National Pipe Thread) de 1/2" pour attacher les tuyaux qui fournir l'eau à N°.10.

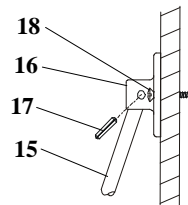
L'Installation: De L'Ajutage

6. Attacher N°.12 sur le tuyau qui fournir l'eau; visser N°.15 dans l'accessoire de N°.13.



7. Marquer les trous sur le mur pour attacher N°.16; utiliser le N°.18 fourni pour attacher N°.16 au mur.

8. Insérer N°.17 dans le trou de N°.16.



9. Recommencer l'eau et vérifier s'il y a des fuites.

Voir le diagramme de la circulation au page 8.

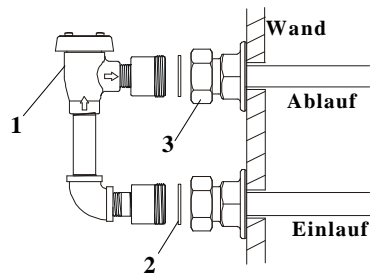
Allgemeine Anleitungen

Installation: Vakuumunterbrecher

1. Löcher, die von Mitte zu Mitte 9,5 cm entfernt sind, in die Wand bohren, wo Nr. 1 installiert werden soll.

Anmerkung: Für die richtige Höhe von Nr. 1 über dem Auslauf von Nr. 13 bitte die zutreffenden Installateurvorschriften nachsehen.

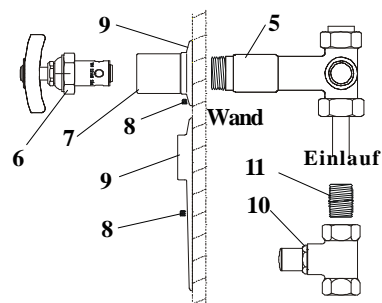
2. Nr. 3 von Nr. 1 entfernen, Nr. 3 auf dem Rohrsystem installieren.



3. Nr. 1 wieder mit Nr. 3 verbinden. Sicherstellen, daß Nr. 2 richtig eingesetzt ist, und mit einem Schraubenschlüssel festziehen.

Installation: (Armaturrumpf)

4. Nach dem Auspacken von Nr. 4, Nr. 6, 7, 8 und 9 von Nr. 5 entfernen. (Nr. 8 unten auf Nr. 9 lösen, beide von Nr. 5 abziehen.)



Nr.10 und Nr.11 für Modelle B-0695 ST und B-0696 ST benutzen.

5. (Für die Modelle B-0695 ST und B-0696 ST Nr. 10 hinzufügen und Nr. 11 verwenden, um die Kupplungen miteinander zu verbinden.)

Herstellung der Verbindung mit Nr. 4:

B-0695: Einlaufrohr mit 1/2" IPS FE Innenverschraubung; 1/2" Verschußnippel.

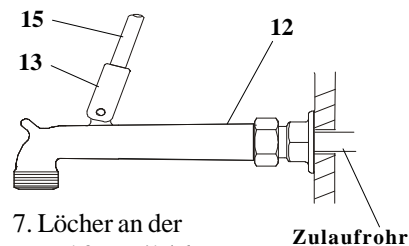
B-0696: 5/8" Einlaufrohre; Kupferrohre müssen mit Einlaufrohren verschweißt werden.

B-0695 ST: B-0416 Stopfen benutzen; Rohre Größe 1/2" NPT. (National Pipe Thread)

B-0696 ST: Der Installateur muß das 5/8" Verbindungstück mit dem 1/2"NPT. (National Pipe Thread) Zwischenstück verschweißen, um die Zulaufrohre mit Nr. 10 zu verbinden.

Schwenkhahninstallation

6. Nr. 12 mit dem Zulaufrohr verbinden; Nr. 15 in Nr. 13 einschrauben.



7. Löcher an der Wand für Teil 16 markieren;

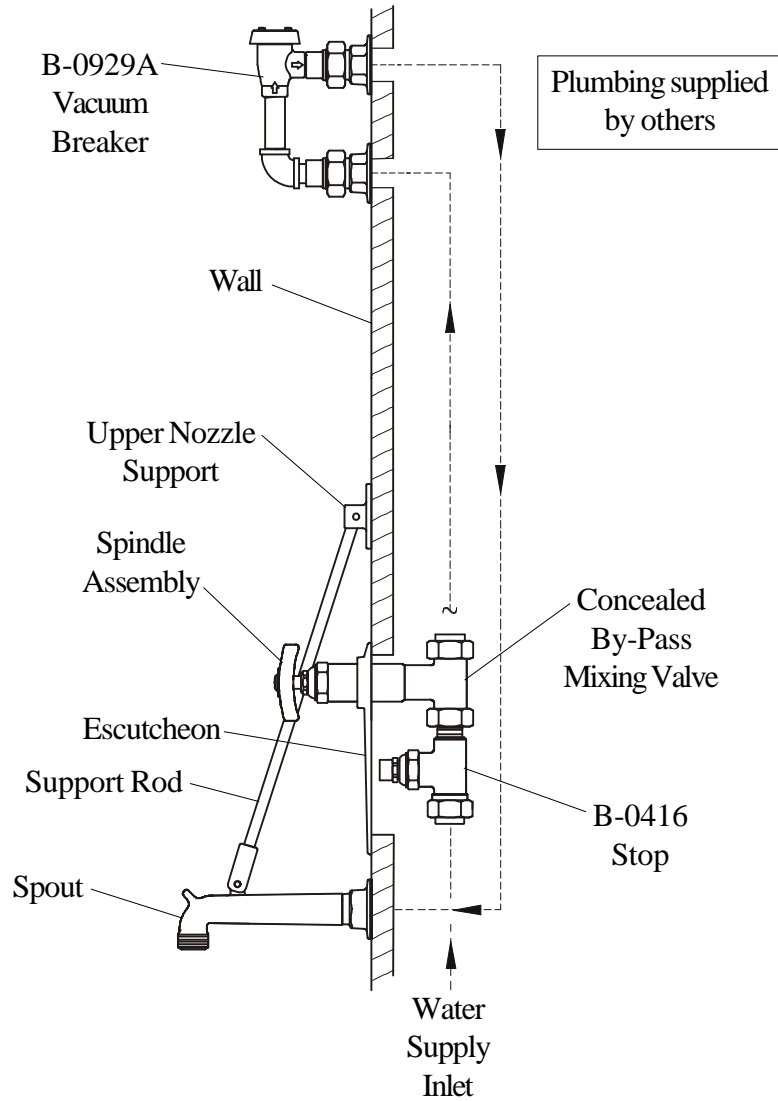
mitgelieferte Nr. 18 benutzen, um Nr. 16 an der Wand zu befestigen.

8. Nr. 17 in das Loch von Nr. 16 einfügen.

9. Wasserzufuhr andrehen und auf Lecks prüfen.

Siehe Durchfußdiagramm auf Seite 8.

Flow diagram



T&S BRASS AND BRONZE WORKS, INC.

A firm commitment to application-engineered plumbing products

2 Saddleback Cove, P.O. Box 1088,
Travelers Rest, SC 29690

Phone: (864) 834-4102

Fax: (864) 834-3518

E-mail: tsbrass@tsbrass.com

T & S Brass-Europe

'De Veenhoeve'

Oude Nieuwveenseweg 84

2441 CW Nieuwveen

The Netherlands

