



Limited One Year Warranty

T&S warrants to the original purchaser (other than for purposes of resale) that such product is free from defects in material and workmanship for a period of one (1) year from the date of purchase. During this one-year warranty period, if the product is found to be defective, T&S shall, at its options, repair and/or replace it. To obtain warranty service, products must be returned to...

T&S Brass and Bronze Works, Inc.
Attn: Warranty Repair Department
2 Saddleback Cove
Travelers Rest, SC 29690

Shipping, freight, insurance, and other transportation charges of the product to T&S and the return of repaired or replaced product to the purchaser are the responsibility of the purchaser. Repair and/or replacement shall be made within a reasonable time after receipt by T&S of the returned product. This warranty does not cover items which have received secondary finishing or have been altered or modified after purchase, or for defects caused by physical abuse to or misuse of the product, or shipment of the products.

Any express warranty not provided herein, and any remedy for Breach of Contract which might arise, is hereby excluded and disclaimed. Any implied warranties of merchantability or fitness for a particular purpose are limited to one year in duration. Under no circumstances shall T&S be liable for loss of use or any special consequential costs, expenses or damages.

Some states do not allow limitations on how long an implied warranty lasts or the exclusion or limitation of incidental or consequential damages, so the above limitations or exclusions may not apply to you. Specific rights under this warranty and other rights vary from state to state.

P/N: 098-012427-45
Date: 990609
Drawn: CW
Checked: MAB 8-10-99
Approved: MVW 8-6-99

Installation and Maintenance Instructions



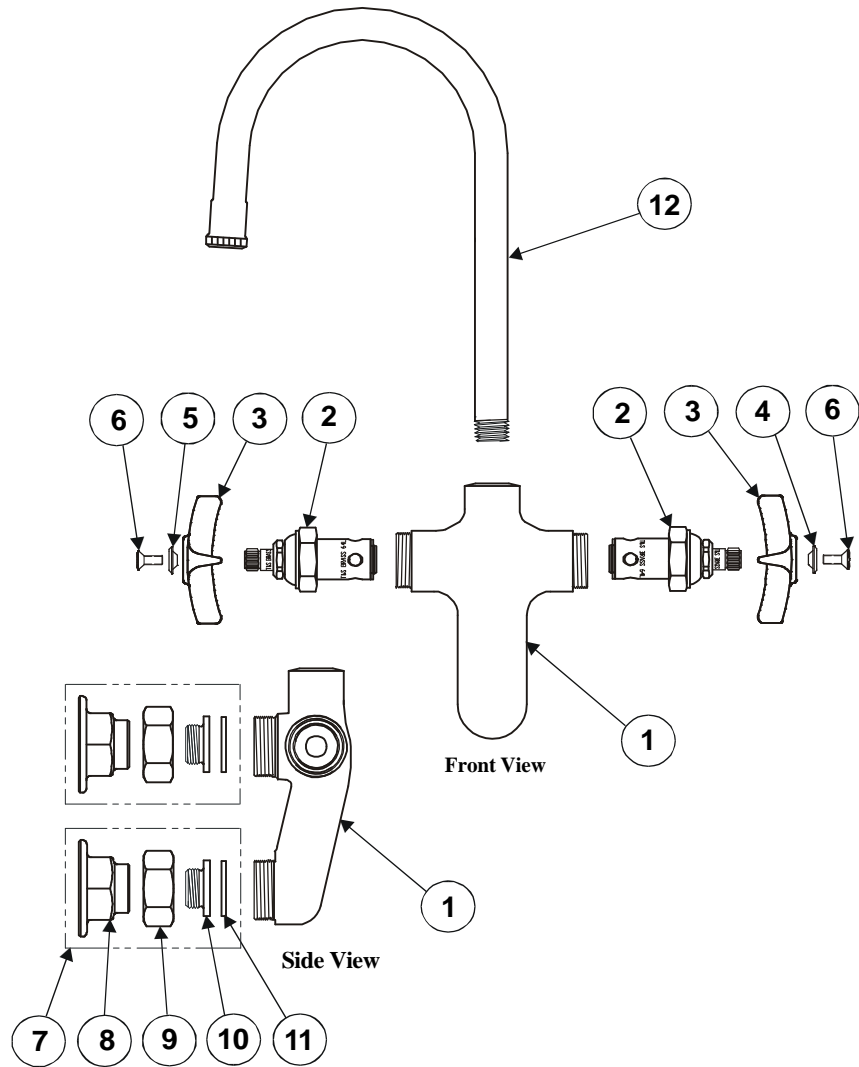
Mixing Faucet B-0315 (B-0315-LN shown)

**Deutsch: Installations- und
Wartungsanleitungen**

**Español: la Instalación y las
Instrucciones de
Mantenimiento**

**Français: les Instructions
d'Installation et
d'Entretien**

Exploded View



* Some items are listed for instructional purposes and may not be sold as separate parts.

Part Number Guide

Faucet Assemblies

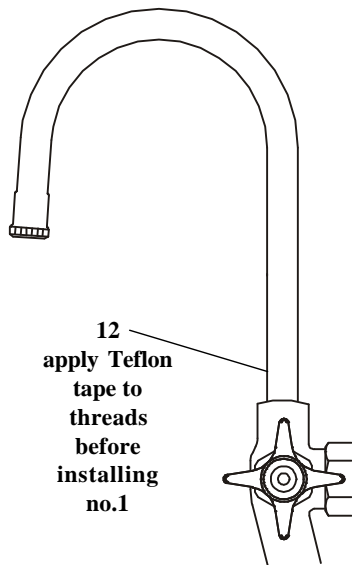
1	Body, Wash Sink	*
2	Asm, Spindle, Eterna	005960-40
3	Handle, 4 Arm Kitchen	002521-45
4	Button, Index Handle, Blue- Cold	001660-45
5	Button, Index Handle, Red- Hot	001661-45
6	Screw, Lever Handle	000922-45
7	Asm, Coupling Flange 1/2	002893-40
8	Flange, 1/2 NPT	*
9	Nut, Flange Coupling	*
10	Insert, Flange	*
11	Washer, Coupling Nut	001019-45
12	Asm, Gooseneck w/ Tip	120X

General Instructions

Nozzle Installation:

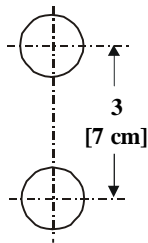
Note: Nozzles should be installed first.

1. Shut off water supply and drain lines. Apply Teflon tape or pipe joint compound to threaded end of no.12.
2. Tighten no.12 firmly by hand into no.1.

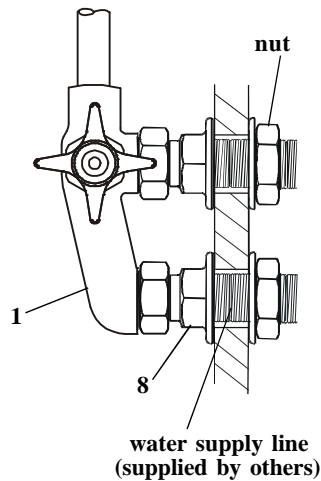
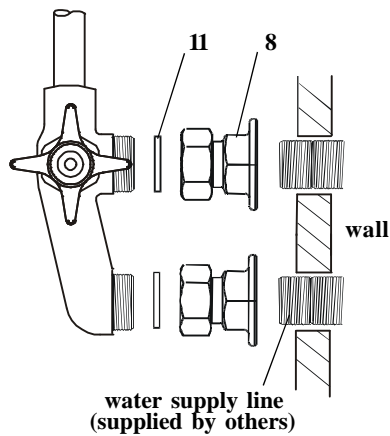


Faucet Installation:

1. Drill (2) two holes, approximately 1-1/4" [3 cm] diameter in wall with 3" [7 cm] vertical centers, where you are installing no.1.



2. Apply Teflon tape or pipe joint compound to water supply lines.
3. Connect no.7 to water supply lines by attaching no.8 with eccentric centers onto nipple supplied by others and tighten no.8 against wall. ***Make sure no.11 is in place. Nut behind wall to be supplied by others.*** Trim supply lines if necessary.



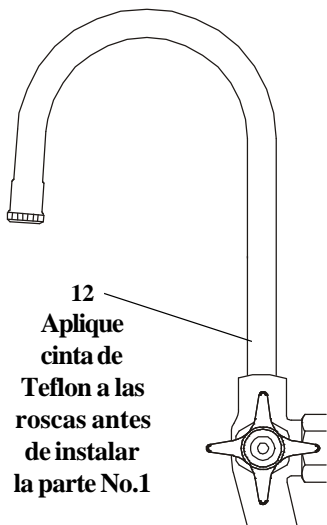
4. Turn on water supply and check for leaks.

Instrucciones Generales

Instalación de la Boquilla:

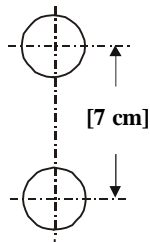
Nota: Las boquillas deben de ser instaladas primero.

1. Cierre la fuente de agua y desagüe las tuberías. Aplique cinta de Teflon o compuesto de coyuntura al extremo con rosca de la parte No.12.
2. Firmemente apriete a mano la parte No.12 entre la parte No.1.

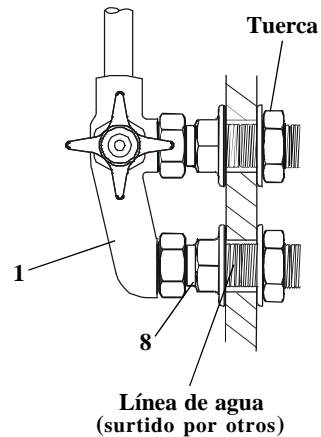
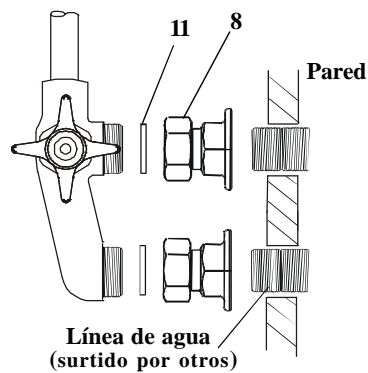


Instalación de la Canilla:

1. Perfore (2) dos huecos, aproximadamente de 1-1/4" [3 cm] de diámetro en la pared con centros verticales de 3" [7 cm] donde la parte No.1 será instalada.



2. Aplique cinta de Teflon o compuesto de coyuntura a las líneas de agua.
3. Conecte la parte No.7 a las líneas de surtido juntando la parte No.8 con centros excéntricos al tubo surtido por otros y apriete la parte No.8 contra la pared. **Asegúrese que la parte No.11 este en su sitio. La tuerca detrás de la pared será surtida por otros.** Si es necesario recorte las líneas de agua.



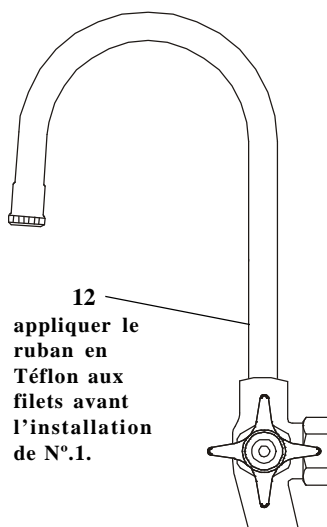
4. Abra la fuente de agua e inspeccione por filtraciones.

Instructions Générales

L'Installation De L'Ajutage

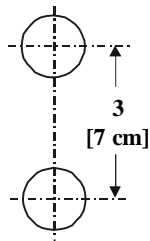
Noter: Les ajutages doivent être installés au début.

1. Fermer la réserve de l'eau et égoutter la tuyauterie. Appliquer le ruban en Téflon ou le composé pour les tuyaux à l'extrémité de N°12 avec les filets.
2. Resserrer N°12 fermement par la main dans N°1.

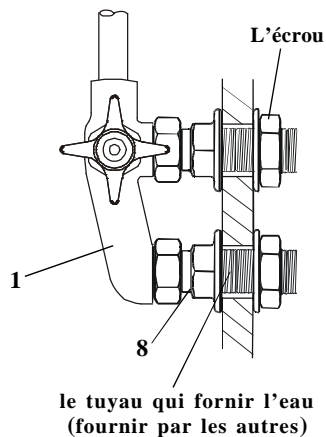
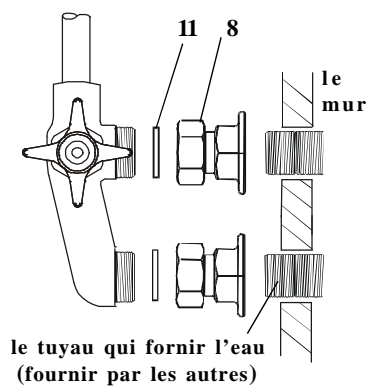


L'Installation Du Robinet

1. Percer (2) deux trous, avec un diamètre 3 cm dans le mur avec des centres verticales de 7 cm, où vous allez installer N°1.



2. Appliquer le ruban en Téflon ou le composé pour les tuyaux aux filets des tuyaux qui fournissent l'eau.
3. Brancher N°7 aux tuyaux qui fournissent l'eau en branchant N°8 avec les centres excentriques sur le raccord *fournir par les autres* et resserrer N°8 contre le mur. Soyez certain que N°11 est à sa place. L'écrou *derrière le mur* *fournir par les autres*. Couper un peu les tuyaux qui fournissent l'eau si nécessaire.



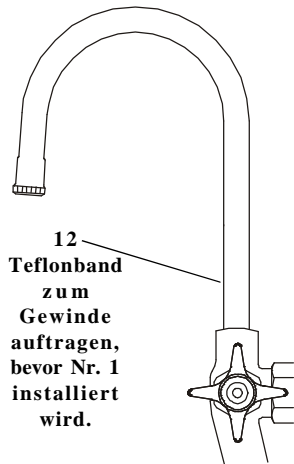
4. Recommencer l'eau et vérifier s'il y a des fuites.

Allgemeine Anleitungen

Installation des Strahlauslaufes:

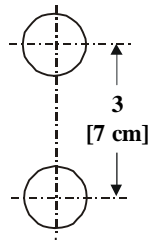
Hinweis: Strahlausläufe sollten als erstes installiert werden.

1. Wasserzufuhr abdrehen und Rohre leerlaufen lassen. Teflonband oder Rohrkitt zum Gewindeende der Nr. 12 auftragen.
2. Nr. 12 fest mit der Hand in Nr. 1 eindrehen.



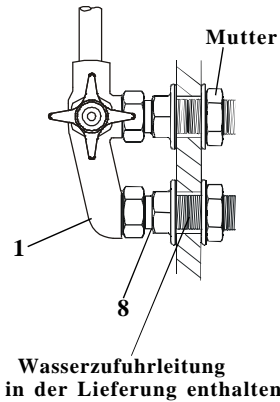
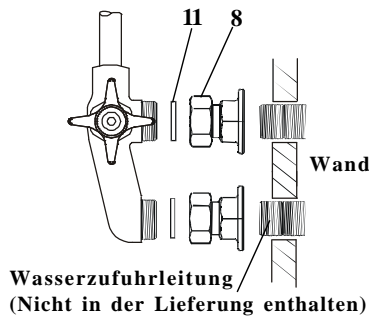
Installation des Wasserhahnes:

1. Bohren Sie zwei (2) Löcher, ungefähr 3 cm Durchmesser mit einem Abstand von 7 cm von Lochmitte zu Lochmitte, in die Wand, in der Nr. 1 installiert wird.



2. Teflonband oder Rohrkitt zum Gewinde der Wasserzuführleitungen auftragen.

3. Verbinden Sie Nr. 7 zur Wasserleitung, indem Sie Nr. 8 mit *versetzter Mitte* auf den Rohrnickel (*nicht in der Lieferung enthalten*) befestigen, und fest gegen die Wand anziehen. **Stellen Sie sicher, daß sich Nr. 11 in der korrekten Position befindet. Die Mutter hinter der Wand ist nicht in der Lieferung enthalten.** Falls erforderlich, Zuführleitungen entsprechend kürzen.



4. Wasser andrehen und auf Dichtheit prüfen.

RELATED T&S BRASS PRODUCT LINE



B-0535
Rigid Gooseneck
Spout w/ Spray
Wall Mounted



B-0525
Swivel Gooseneck Spout
Wall Mounted

T&S BRASS AND BRONZE WORKS, INC.

A firm commitment to application-engineered plumbing products

2 Saddleback Cove, P.O. Box 1088,
Travelers Rest, SC 29690

Phone: (864) 834-4102

Fax: (864) 834-3518

E-mail: tsbrass@tsbrass.com

T & S Brass-Europe

'De Veenhoeve'

Oude Nieuwveenseweg 84

2441 CW Nieuwveen

The Netherlands

