



**35C+ & 45C+  
GAS FRYER  
EXPLODED PARTS MANUAL**

**PITCO FRIALATOR INC.**

[www.pitco.com](http://www.pitco.com)

P.O. Box 501, Jct. I-89 & I-93 Concord, NH 03302-0501 • 509 Route 3A, Bow, NH 03304 USA Telephone • (603) 225-6684 • Fax: (603) 225-8497

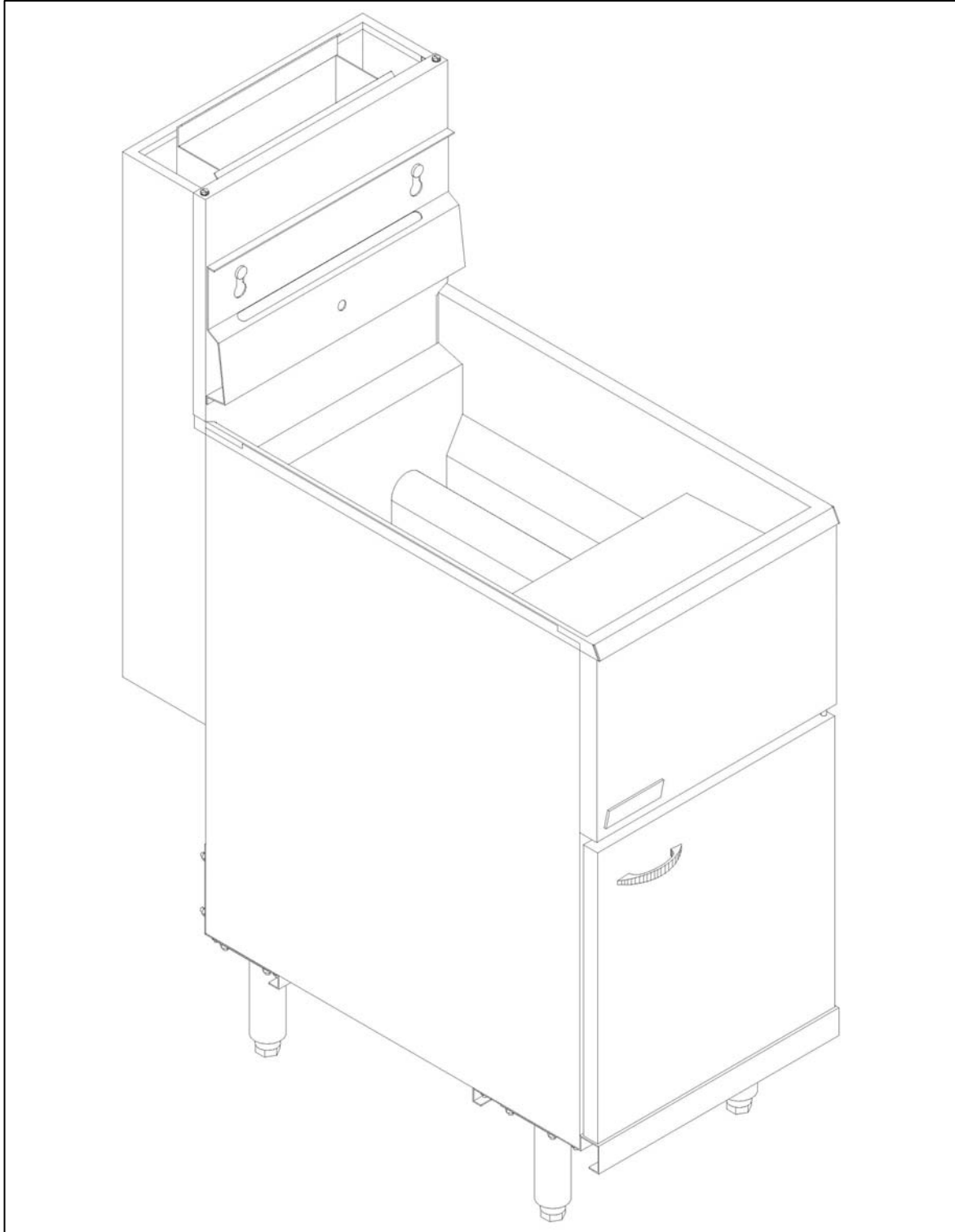
PN L22-229 Rev. 3 (09/13)

**TABLE OF CONTENTS**

FULL ASSEMBLY ..... 3  
EXPLOSION PARTS LIST.....4  
EXPLOSION DRAWING .....5  
TANK FLUE PARTS LIST DRAWING A.....6  
TANK/FLUE DRAWING DRAWING A.....7  
ROBERTSHAW BURNER /GAS VALVE / CONTROLS PARTS LIST DRAWING B..... 8  
ROBERTSHAW BURNER /GAS VALVE / CONTROLS DRAWING B.....9  
MILLIVOLT BURNER /GAS VALVE / CONTROLS PARTS LIST DRAWING B ..... 10  
MILLIVOLT BURNER /GAS VALVE / CONTROLS DRAWINGB ..... 11  
CABINET PARTS LIST DRAWING C..... 12  
CABINET DRAWING C..... 13  
ACCESSORIES PARTS LISTS ..... 14  
ACCESSORIES DRAWING..... 15

# 35C+ AND 45C+ FRYER

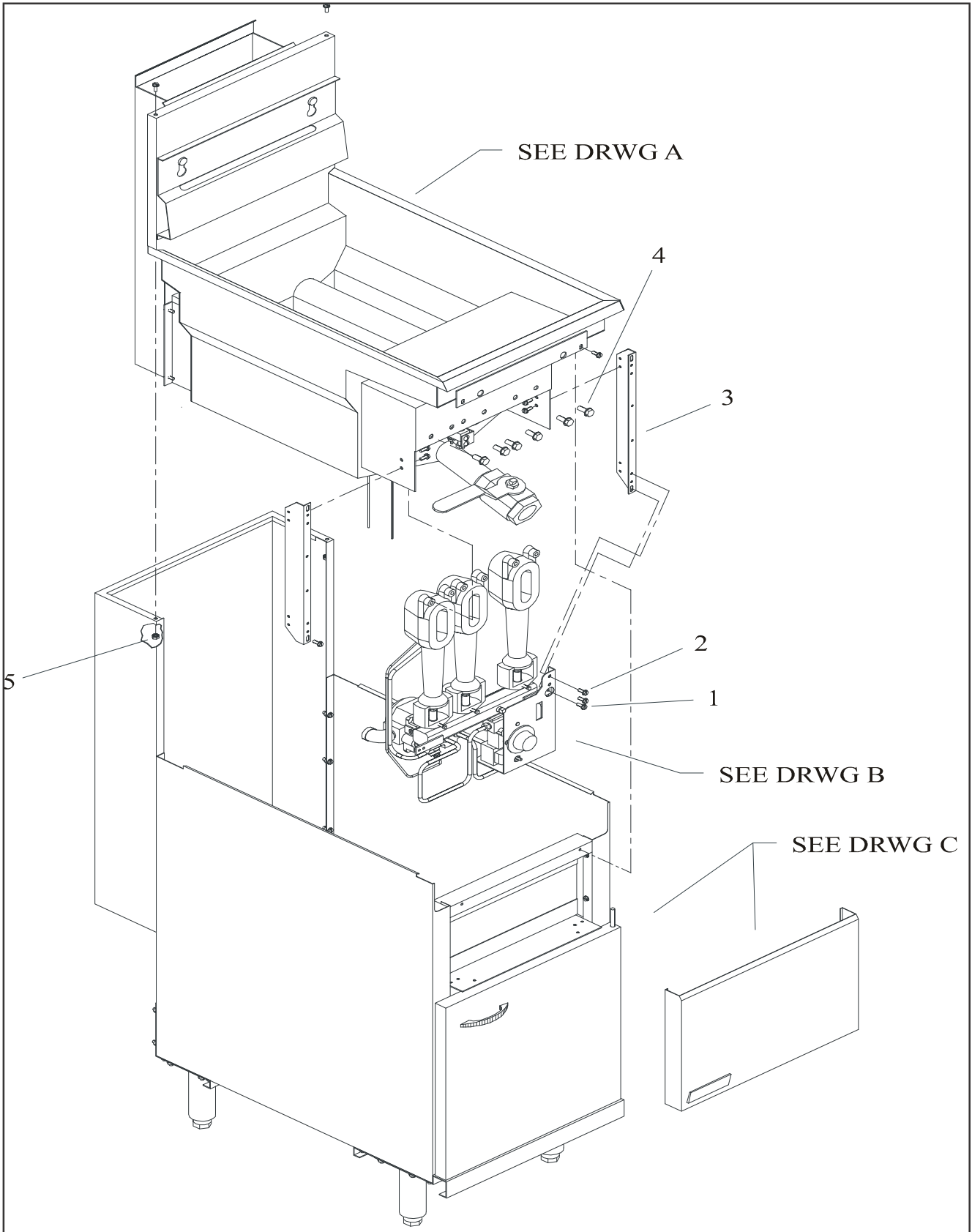
## FULL ASSEMBLY



### EXPLOSION PARTS LIST

ITEM #	PART #	PART DESCRIPTION
1	P0075300	SCREW, 10-16 X 5/8 SELF DRILL
2	P0075400	SCREW, 10-24 X 1/2 SELF TAPPING
3	A8000801	MANIFOLD SUPPORT
4	PP11261	BOLT, 5/16 X 3/4 BURNER
5	P0092300	NUT, 10-24 KEP
6	A3323401	CE 35C+ BURNER HEAT SHEILD (NOT SHOWN)

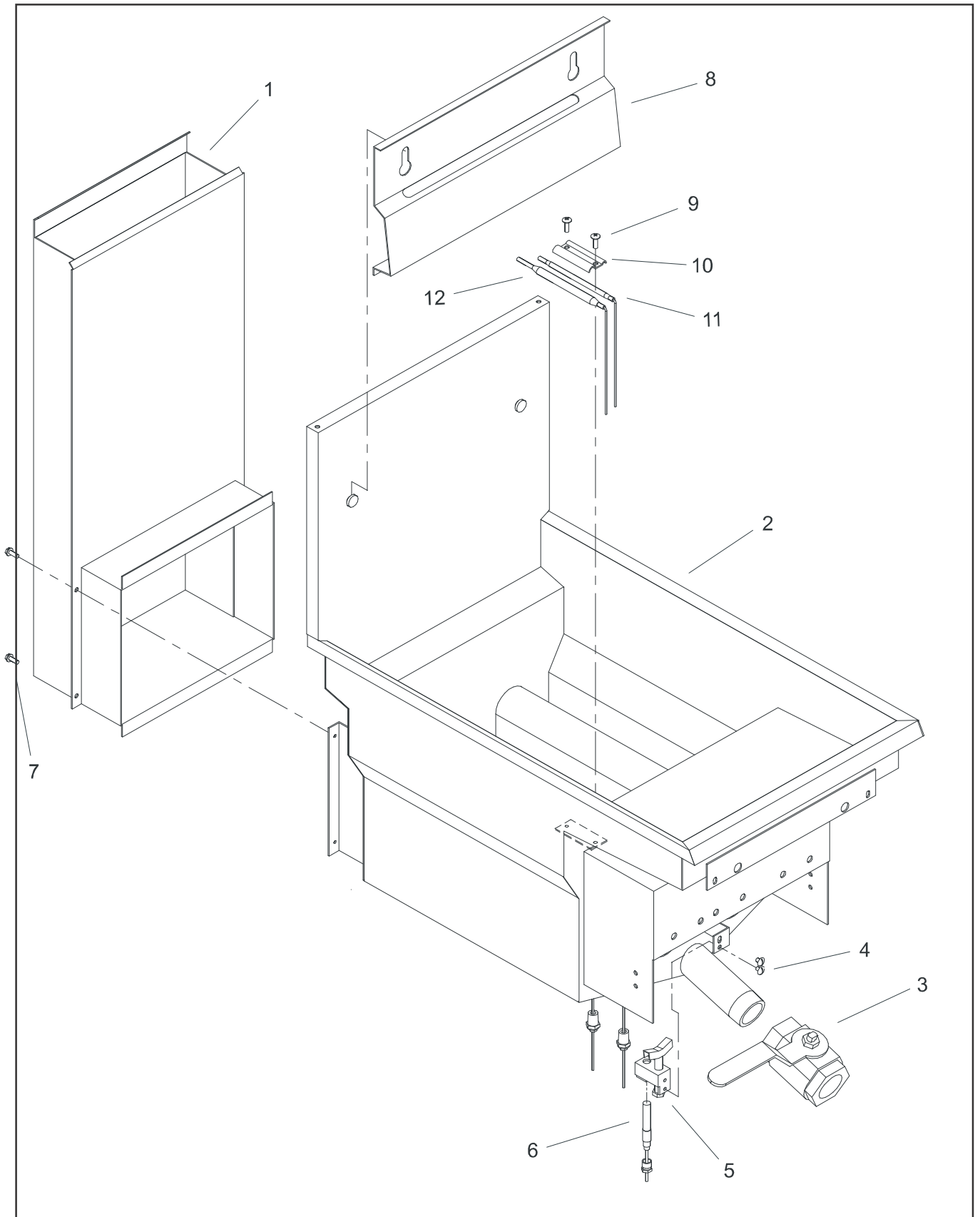
# EXPLOSION DRAWING



## TANK FLUE PARTS LIST DRAWING A

ITEM #	PART #	PART DESCRIPTION
1	B3500501	35C+ FLUE PIPE
	B3500601	14C+/45C+ FLUE PIPE (SERIAL # G90J-G98K)
	B3503001	45C+ FLUE PIPE (POST G98L)
2	B3303001	35C+ MILD STEEL TANK
	B3303002	35C+ STAINLESS STEEL TANK
	B3305601	14C+/45C+ MILD STEEL TANK (SERIAL # G90J-G98K)
	B3305602	14C+/45C+ STAINLESS STEEL TANK (SERIAL # G90J-G98K)
	B3321301	45C+ MILD STEEL TANK (POST G98L)
	B3321302	45C+ STAINLESS STEEL TANK (POST G98L)
	B3313501	CE 35C+ MILD STEEL TANK
	B3313502	CE 35C+ STAINLESS STEEL TANK
3	PP10368	1-1/4" DRAIN VALVE
4	P0010400	SCREW, 10-32 X 1/4"
5	P6071449	LP PILOT ASSEMBLY
	P6071450	NAT PILOT ASSEMBLY
6	P5047541	THERMOPILE
	P5047540	CE THERMOCOUPLE
7	P0075400	SCREW, 10-24 X 1/2"
8	A1100111	35C+/45C+ MILD STEEL BASKET HANGER
	A1100112	35C+/45C+ STAINLESS STEEL BASKET HANGER
9	PP11366	SCREW, 10-24 X 5/8"
10	A1401002	HI-LIMIT/T-STAT CLAMP
11	PP10084	HI-LIMIT SWITCH (SEE DRWG B, #13)
12	P5047588	THERMOSTAT (SEE DRWG B, #14)
	P5047590	CE 190° THERMOSTAT(SEE DRWG B, #14)
	B1001702	REPLACEMENT BAFFLES (NOT SHOWN)
		3 PER 35C+
		4 PER 14C+ / 45C+

# TANK/FLUE DRAWING DRAWING A

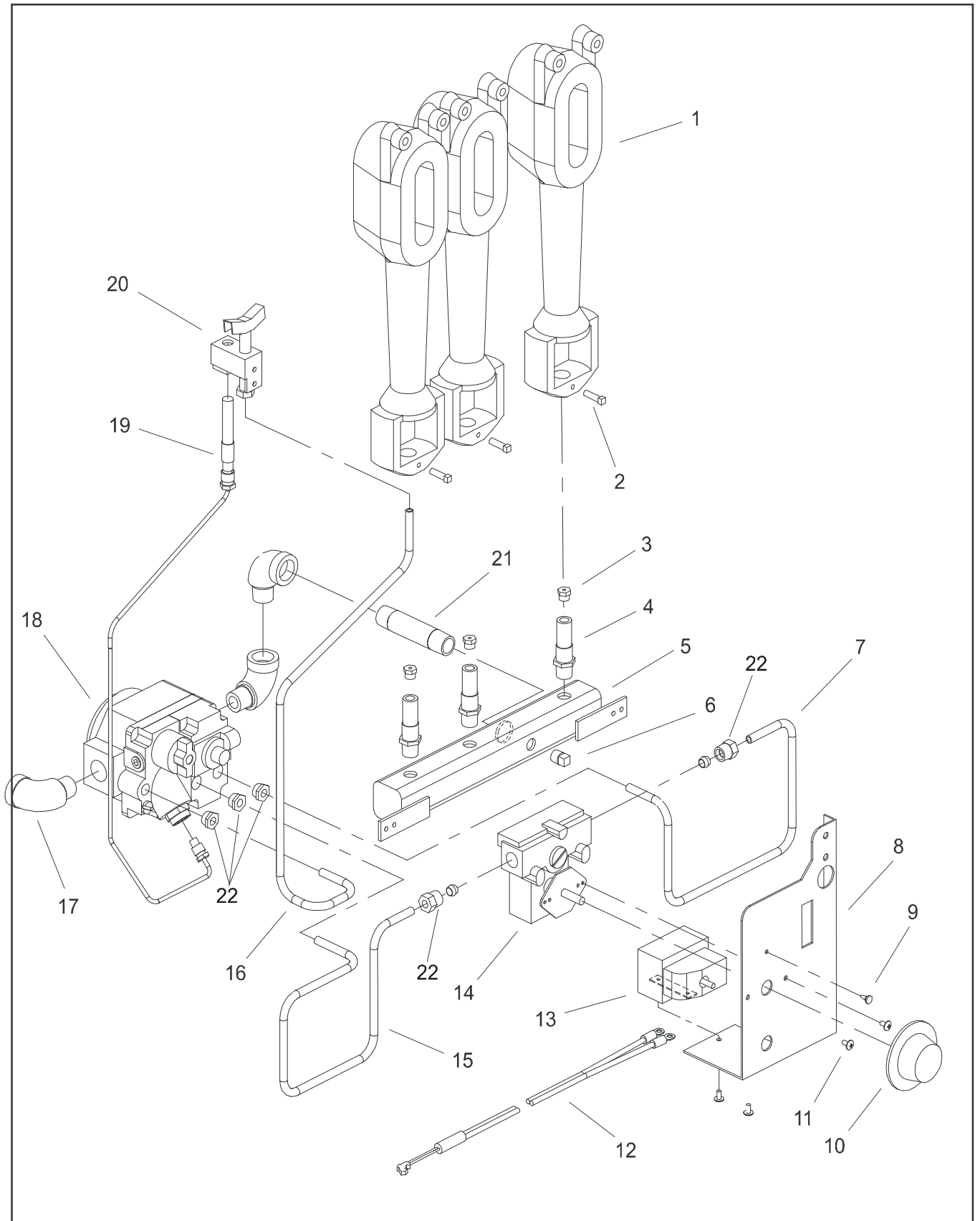


## ROBERTSHAW BURNER /GAS VALVE / CONTROLS PARTS LIST DRAWING B

ITEM #	PART #	PART DESCRIPTION
1	P6071050	35C+ 4" BURNER (X 3)
	P6071051	45C+ 6" BURNER (X 4) & CE G20 35C+ 6" BURNER (X 3)
	PP10853	CE G31 35C+ 6" BURNER (X 3)
2	P0063550	SCREW, 10-24 X 1/2"
3	DOMESTIC ONLY	
	P6071339	35C+ NAT ORIFICE TIP #39
	P6071309	35C+ LP ORIFICE TIP 1/16"
	P6071338	45C+ NAT ORIFICE TIP #38
	P6071353	45C+ LP ORIFICE TIP #53
4	PP10984	ORIFICE SPUD
5	B8019703	35C+ BURNER MANIFOLD W/ SPUDS
	B8019704	45C+ BURNER MANIFOLD W/ SPUDS
6	P7036725	1/8" STEEL PLUG
	60132801	CE PRESSURE TEST PLUG
7	A8002201	35C+ T-STAT OUT TUBING
	A8003601	45C+ T-STAT OUT TUBING
	A8018601	CE 35C+ T-STAT OUT TUBING
8	A8009601	35C+ T-STAT / HI-LIMIT MOUNTING BRACKET
	A8010601	45C+ T-STAT / HI-LIMIT MOUNTING BRACKET
	A8018301	CE 35C+ T-STAT / HI-LIMIT MOUNTING BRACKET
9	P0190700	FASTEX CLIP
10	PP10537	T-STAT KNOB
11	PP10687	SCREW, 6-32 X 5/16"
12	B6779850	HI-LIMIT WIRE
13	PP10084	HI-LIMIT SWITCH
14	P5047588	THERMOSTAT
	P5047590	CE 190° THERMOSTAT
15	A8002101	35C+ T-STAT IN TUBING
	A8003701	45C+ T-STAT IN TUBING
	A8018501	CE 35C+ T-STAT IN TUBING
16	A8002001	35C+ PILOT TUBING
	A7578601	45C+ PILOT TUBING
17	P7037750	1/2" STREET ELBOW
18	P5045642	NAT GAS VALVE
	P5045644	LP GAS VALVE
	PP10955	CE G20 GAS VALVE
	PP11110	CE G31 GAS VALVE
19	P5047541	THERMOPILE
	P5047540	CE THERMOCOUPLE
20	P6071449	LP PILOT ASSEMBLY
	P6071450	NAT PILOT ASSEMBLY
21	P7037095	1/2" X3" NIPPLE
22	PP10618	NUT & FERRULE
	PP10591	FERRULE ONLY



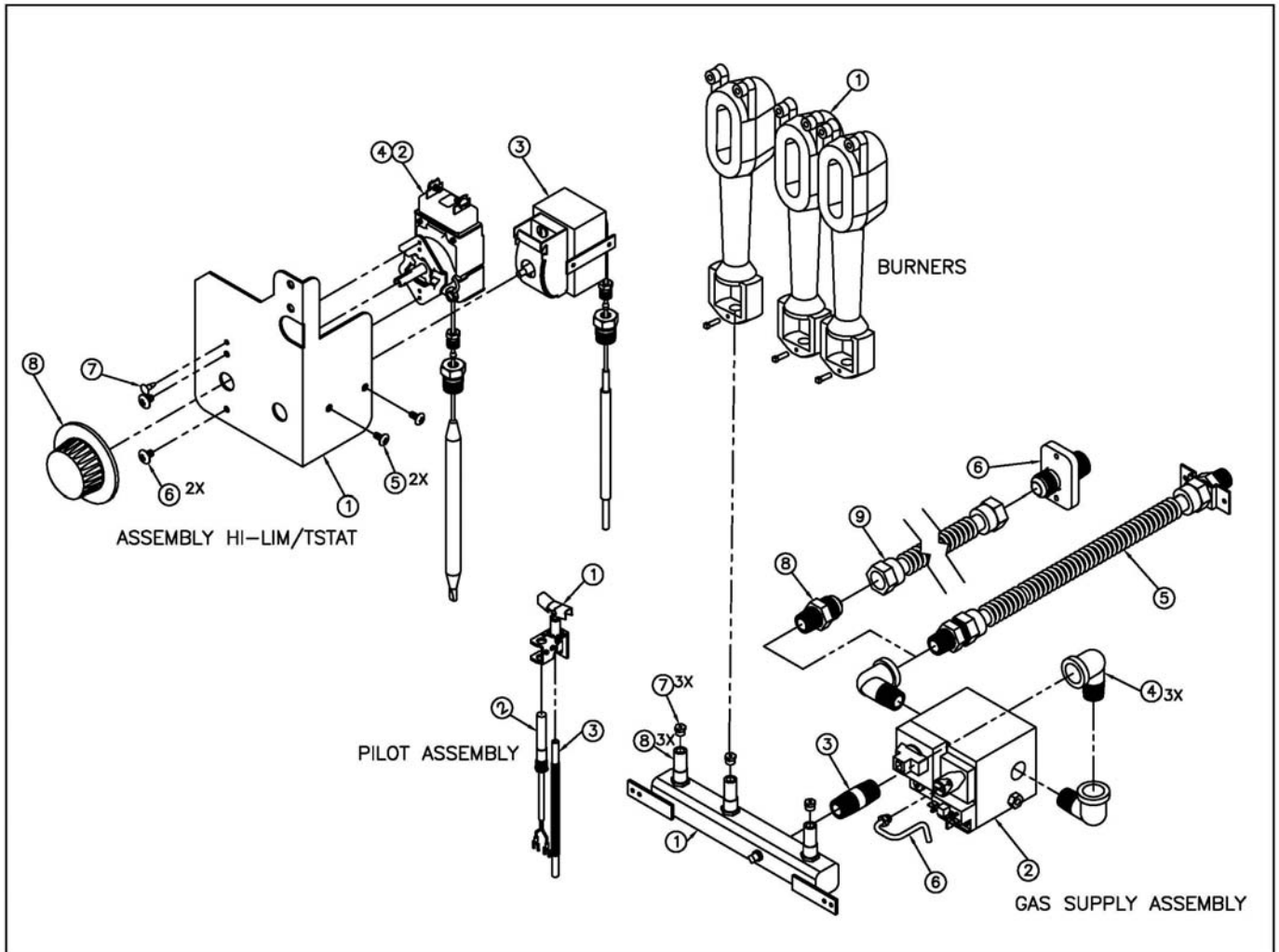
# ROBERTSHAW BURNER / GAS VALVE / CONTROLS DRAWING B



# MILLIVOLT BURNER / GAS VALVE / CONTROLS PARTS LIST DRAWING B

ITEM	PART #	PART DESCRIPTION
BURNERS		
1.....	P6071050	35C+ 4" BURNERS (X3)
	P6071051	45C+ 6" BURNER (x4) & CE G20 35C+ 6" BURNER (X3)
	PP10853	CE G31 35C+ BURNER (X3)
ASSEMBLY HI-LIM/TSTAT MV		
1.....	A8037701	PG,BRKT HI-LIM/TSTAT MV ECONO
2.....	60125401	TSTAT,RX MVOLT 200-400F
3.....	PP10084	SW,HI LIMIT LCHMO5030
4.....	B6744401	WRG,MILLIVOLT HI-LIM/TSTAT
5.....	PP10687	SCR,6-32 X 5/16 TH PHILLIPS ZN
6.....	P0007300	SCR,8-32 X 1/4 HX&N ZN
7.....	P0190700	CLIP CANOE FASTEX
8.....	PP10539	KNOB,TSTAT W/OFF200-400F&100
PILOT ASSEMBLY MV		
1.....	P6071450	PILOT CH14 NAT
	P6071449	PILOT CH14 LP
2.....	60125501	THERMOPILE,MILLIVOLT
3.....	60119001	TU,FLEX W/O FTG 18" .250 O.D.
PG,SUPPLY GAS MV		
1.....	B8019703	35C PG,MANF FTG ASSY
	B8019704	45C PG MANF FTG ASSY
2.....	60125201	VLV,GAS VS820 NAT
	60125202	VLV,GAS VS820 LP
3.....	P7037093	NIP,BLK 1/2 X 2
4.....	P7037750	ELB,ST 90 1/2
5.....	PP11257	TU,FLEX W/FTGS & BRKT 18IN
6.....	60125901	TU,VENT GAS VLV
7.....	P6071339	35C+ NAT ORIFICE TIP #39
	P6071309	35C+ LP ORIFICE TIP 1/16"
	P6071338	45C+ NAT ORIFICE TIP #38
	P6071353	45C+ LP ORIFICE TIP #53
8.....	A8001101	PG,FTG BNR

# MILLIVOLT BURNER / GAS VALVE / CONTROLS DRAWING B

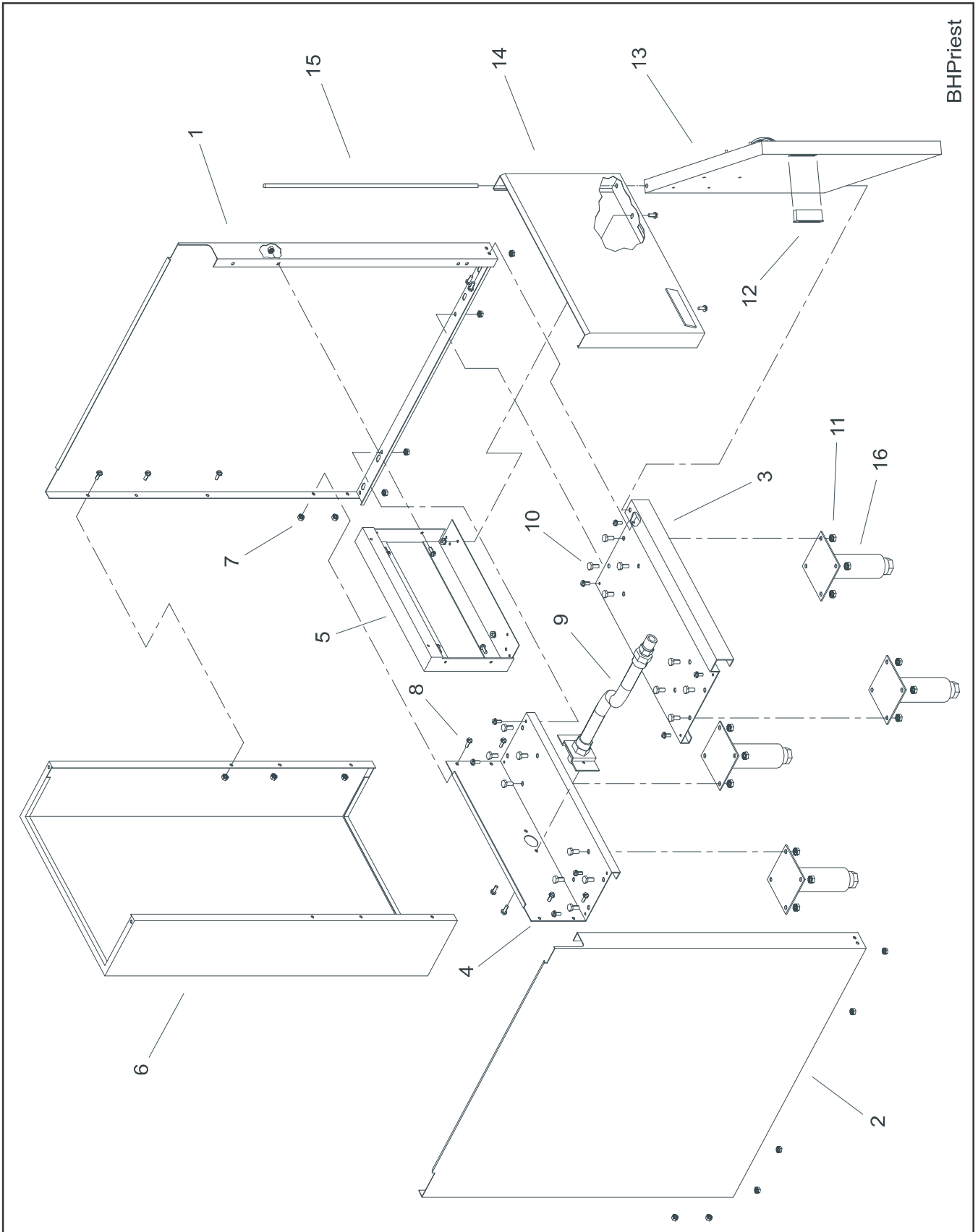


## CABINET PARTS LIST DRAWING C

ITEM #	PART #	PART DESCRIPTION
1		RH CABINET SIDE (PART OF CABINET ASSEMBLY)
2		LH CABINET SIDE (PART OF CABINET ASSEMBLY)
3		FRONT BOTTOM BRACE (PART OF CABINET ASSEMBLY)
4		REAR BOTTOM BRACE (PART OF CABINET ASSEMBLY)
5		FRONT TOP BRACE (PART OF CABINET ASSEMBLY)
6		CABINET BACK (PART OF CABINET ASSEMBLY)
7	P0092300	NUT, 10-24 KEP
8	P0075400	SCREW, 10-24 X 1/2" SELF TAPPING
9	PP11257	GAS SUPPLY TUBE W/ FITTINGS
10	P0092300	BOLT, 1/4-20 X 5/8"
11	P0093300	NUT, 1/4-20
12	P6071300	MAGNET CATCH
13	B2303201	DOOR ASSEMBLY
	P6071516	DOOR HANDLE (NOT SHOWN)
14	A3631402	FRONT PANEL
	B3613503	FRONT PANEL (EGG ROLL)
15	A3800603	DOOR HINGE PIN
16	B3900701	6" LEG SET
	B3901501	6" CASTER SET
17	PP10067	CE SUPPLY ADAPTER (NOT SHOWN)
	B1821601	35C+ / 45C+ COMPLETE GALVINIZED STEEL CABINET
	B1821602	35C+ / 45C+ COMPLETE STAINLESS STEEL CABINET

# CABINET DRAWING C

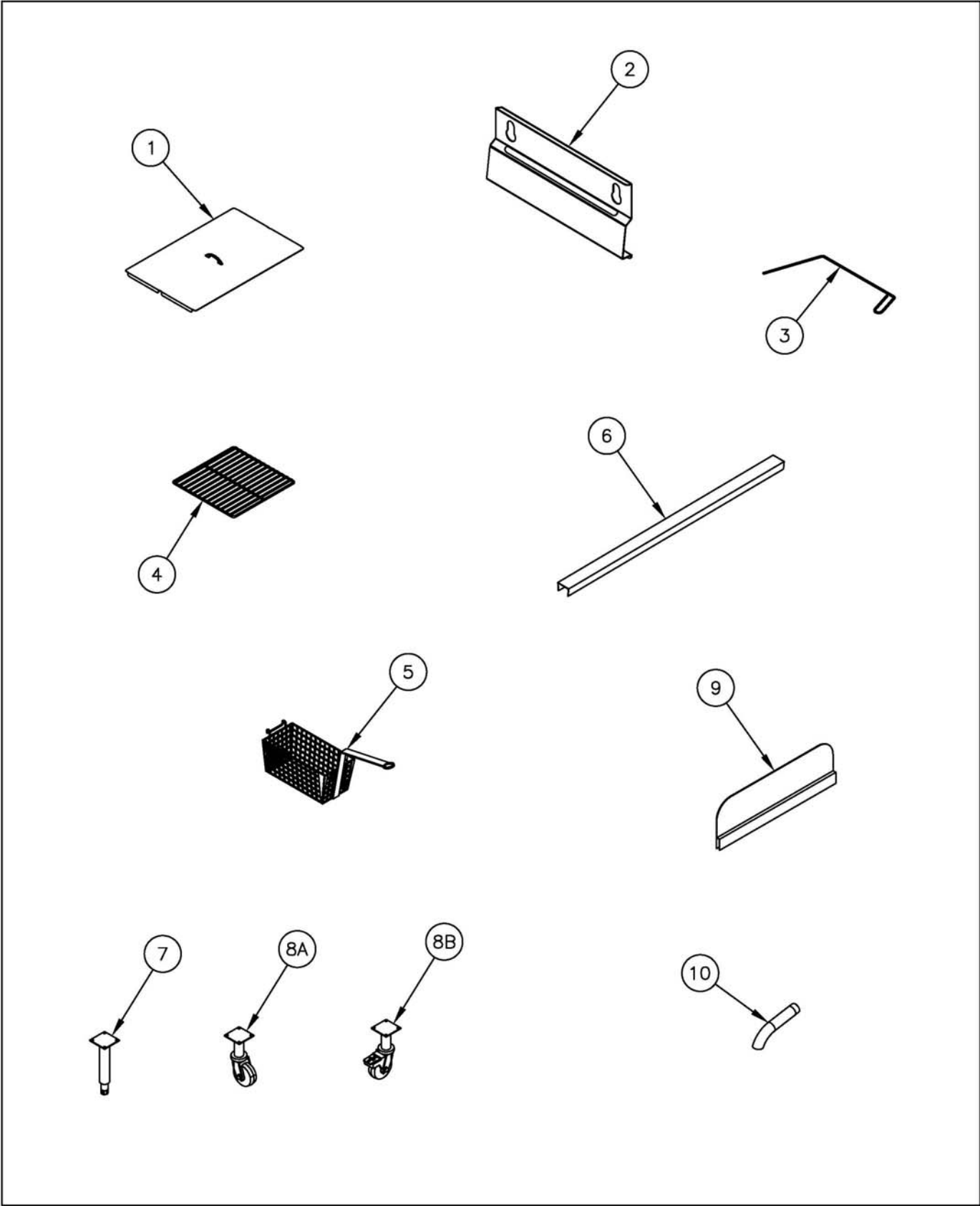
BHPriest



## ACCESSORIES PARTS LISTS

ITEM	PART #	PART DESCRIPTION
1.....	B2100112-C	35C+ TANK COVER
	B2100106-C	45C+ TANK COVER
2.....	A1101101	MILD STEEL BASKET HANGER
	A1101102	STAINLESS STEEL BASKET HANGER
3.....	A3301001	FRYER CLEAN OUT ROD
4.....	PP10434	35C+ TUBE RACK
	PP10434	45C+ TUBE RACK
5.....	P6072145	REGULAR MESH BASKET
	P6072146	FINE MESH BASKET
6.....	A3316302-C	CHANNEL STRIP
7.....	B3900701	LEG SET
8.....	B3901501	CASTER SET-set of 4 casters
	A	(2) Non-Locking
	B	(2) Lockings
9.....	A5069604	SPLASH SHIELD SIDE 10"
10.....	A2510101	DRAIN NIPPLE

# ACCESSORIES DRAWING



In the event of problems with or questions about your order, please contact the Pitco Frialator factory at:  
(603) 225-6684 World Wide

In the event of problems with or questions about your equipment please contact the Pitco Frialator Authorized Service and Parts Representative (ASAP) covering your area or contact Pitco at the numbers listed to the left.

**MAILING ADDRESS – P.O. BOX 501, CONCORD, NH 03302-0501**  
**SHIPPING ADDRESS – 10 FERRY ST., CONCORD, NH 03301**