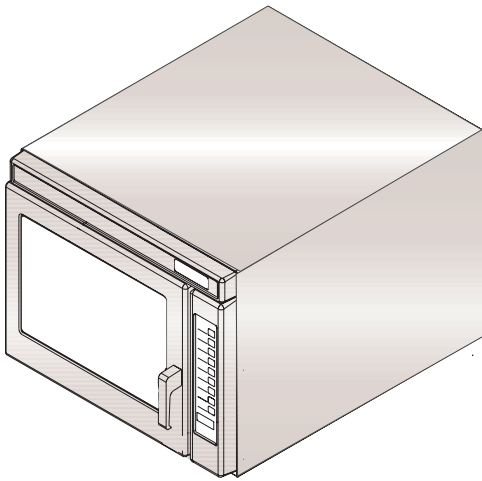


# Owner's Manual

**THIS OVEN IS INTENDED FOR COMMERCIAL USE ONLY**



## **Commercial Microwave Oven**

Keep these instructions for future reference. If the oven changes ownership, be sure this manual accompanies oven.

### **Contents**

Model Identification .....	2
<b>PRECAUTIONS TO AVOID POSSIBLE EXPOSURE TO EXCESSIVE MICROWAVE ENERGY .....</b>	<b>3</b>
<b>IMPORTANT SAFETY INSTRUCTIONS ...</b>	<b>3</b>
Earthing Instructions .....	5
Installation .....	5
Display and Features .....	6
Using the Oven Control .....	8
Programming the Oven Control .....	9
User Options .....	10
Care and Cleaning .....	11
Before Calling For Service .....	13

# Model Identification

---

When contacting ACP, provide product information.  
Product information is located on oven serial plate.  
Record the following information:

Model Number: \_\_\_\_\_

Manufacturing Number: \_\_\_\_\_

Serial or S/N Number: \_\_\_\_\_

Date of purchase: \_\_\_\_\_

Dealer's name and address: \_\_\_\_\_

---

Any questions or to locate an authorized ACP servicer, call toll free 1-866-426-2621 inside U.S.A. or Canada, or 1-319-368-8120 outside U.S.A or Canada. Warranty service must be performed by an authorized ACP servicer. ACP also recommends contacting an authorized ACP servicer if service is required after warranty expires.

# IMPORTANT SAFETY INSTRUCTIONS



Recognize this symbol as a **SAFETY** message

## **WARNING**

When using electrical equipment, basic safety precautions should be followed to reduce the risk of burns, electrical shock, fire, or injury to persons.

1. READ all instructions before using equipment.
2. READ AND FOLLOW the specific “PRECAUTIONS TO AVOID POSSIBLE EXPOSURE TO EXCESSIVE MICROWAVE ENERGY” on this page.
3. This equipment **MUST BE EARTHED**. Connect only to properly **EARTHED** outlet. See “EARTHING INSTRUCTIONS” on page 5.
4. Install or locate this equipment **ONLY** in accordance with the installation instructions in this manual.
5. Some products such as whole eggs and sealed containers—for example, closed glass jars—are able to explode and **SHOULD NOT** be **HEATED** in this oven.
6. Use this equipment **ONLY** for its intended use as described in this manual. Do not use corrosive chemicals or vapors in this equipment. This type of oven is specifically designed to heat, cook, or dry food. It is not designed for industrial or laboratory use.
7. As with any equipment, **CLOSE SUPERVISION** is necessary when used by **CHILDREN**.
8. See door cleaning instructions on page 11 of this product safety manual.
9. **DO NOT** heat baby bottles in oven.
10. Baby food jars shall be open when heated and contents stirred or shaken before consumption, in order to avoid burns.
11. **DO NOT** operate this equipment if it has a damaged cord or plug, if it is not working properly, or if it has been damaged or dropped.
12. This equipment, including power cord, must be serviced **ONLY** by qualified service personnel. Special tools are required to service equipment. Contact nearest authorized service facility for examination, repair, or adjustment.
13. **DO NOT** cover or block filter or other openings on equipment.
14. **DO NOT** store this equipment outdoors. **DO NOT** use this product near water – for example, near a kitchen sink, in a wet basement, a swimming pool, or a similar location.
15. **DO NOT** immerse cord or plug in water.
16. Keep cord **AWAY** from **HEATED** surfaces.
17. **DO NOT** let cord hang over edge of table or counter.
18. For commercial use only.

## **PRECAUTIONS TO AVOID POSSIBLE EXPOSURE TO EXCESSIVE MICROWAVE ENERGY**

- A. **DO NOT** attempt to operate this oven with the door open since open door operation can result in harmful exposure to microwave energy. It is important not to defeat or tamper with the safety interlocks.
- B. **DO NOT** place any object between the oven front face and the door or allow soil or cleaner residue to accumulate on sealing surfaces.
- C. **DO NOT** operate the oven if it is damaged. It is particularly important that the oven door close properly and that there is no damage to the:
  1. door (bent)
  2. hinges and latches (broken or loosened)
  3. door seals and sealing surfaces.
- D. The oven should not be adjusted or repaired by anyone except properly qualified service personnel.

**SAVE THESE INSTRUCTIONS**

# IMPORTANT SAFETY INSTRUCTIONS



## WARNING

To avoid risk of fire in the oven cavity:

- a. DO NOT overcook food. Carefully attend oven when paper, plastic, or other combustible materials are placed inside the oven to facilitate cooking.
- b. Remove wire twist-ties from paper or plastic bags before placing bag in oven.
- c. If materials inside the oven ignite, keep oven door CLOSED, turn oven off and disconnect the power cord, or shut off power at the fuse or circuit breaker panel.
- d. DO NOT use the cavity for storage. DO NOT leave paper products, cooking utensils, or food in the cavity when not in use.



## WARNING

Liquids such as water, coffee, or tea are able to be overheated beyond the boiling point without appearing to be boiling due to surface tension of the liquid. Visible bubbling or boiling when the container is removed from the microwave oven is not always present. THIS COULD RESULT IN VERY HOT LIQUIDS SUDDENLY BOILING OVER WHEN A SPOON OR OTHER UTENSIL IS INSERTED INTO THE LIQUID. To reduce the risk of injury to persons:

- i) Do not overheat the liquid.
- ii) Stir the liquid both before and halfway through heating it.
- iii) Do not use straight-sided containers with narrow necks.
- iv) After heating, allow the container to stand in the microwave oven for a short time before removing the container.
- v) Use extreme care when inserting a spoon or other utensil into the container.



## CAUTION

To avoid personal injury or property damage, observe the following:

1. Do not deep fat fry in oven. Fat could overheat and be hazardous to handle.
2. Do not cook or reheat eggs in shell or with an unbroken yolk using microwave energy. Pressure may build up and erupt. Pierce yolk with fork or knife before cooking.
3. Pierce skin of potatoes, tomatoes, and similar foods before cooking with microwave energy. When skin is pierced, steam escapes evenly.
4. Do not operate equipment without load or food in oven cavity.
5. Use only popcorn in packages designed and labeled for microwave use. **Popping time varies depending on oven wattage.** Do not continue to heat after popping has stopped. Popcorn will scorch or burn. Do not leave oven unattended.
6. Do not use regular cooking thermometers in oven. Most cooking thermometers contain mercury and may cause an electrical arc, malfunction, or damage to oven.
7. Do not use metal utensils in oven.
8. Never use paper, plastic, or other combustible materials that are not intended for cooking.
9. When cooking with paper, plastic, or other combustible materials, follow manufacturer's recommendations on product use.
10. Do not use paper towels which contain nylon or other synthetic fibers. Heated synthetics could melt and cause paper to ignite.
11. Do not heat sealed containers or plastic bags in oven. Food or liquid could expand quickly and cause container or bag to break. Pierce or open container or bag before heating.
12. To avoid pacemaker malfunction, consult physician or pacemaker manufacturer about effects of microwave energy on pacemaker.
13. An authorized servicer MUST inspect equipment annually. Record all inspections and repairs for future use.

# SAVE THESE INSTRUCTIONS

## Unpacking Oven

- Inspect oven for damage such as dents in door or inside oven cavity.
- Report any dents or breakage to source of purchase immediately.  
**Do not attempt to use oven if damaged.**
- Remove all materials from oven interior.
- If oven has been stored in extremely cold area, wait a few hours before connecting power.

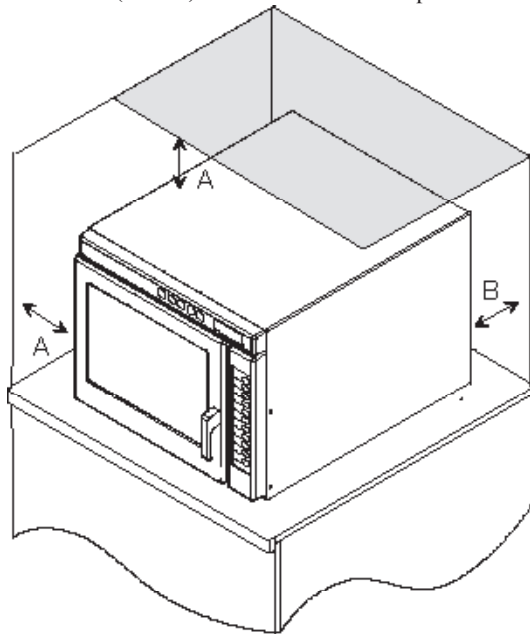
## Radio Interference

Microwave operation may cause interference to radio, television, or a similar microwave oven. Reduce or eliminate interference by doing the following:

- Clean door and sealing surfaces of oven according to instructions in *Care and Cleaning* section.
- Place radio, television, etc. as far as possible from oven.
- Use a properly installed antenna on radio, television, etc. to obtain stronger signal reception.

## Oven Placement

- Do not install oven next to or above source of heat, such as pizza oven or deep fat fryer. This could cause microwave oven to operate improperly and could shorten life of electrical parts.
- Do not block or obstruct oven filter. Allow access for cleaning.
- Install oven on level countertop surface.
- If provided, place warning label in a conspicuous place close to microwave oven.
- Outlet should be located so that plug is accessible when oven is in place.  
A—Allow at least 1 1/2" (3.8 cm) of clearance around top and sides of oven. Proper air



flow around oven cools electrical components. With restricted air flow, oven may not operate properly and life of electrical parts is reduced.

B—Allow at least 1 1/2" (3.8 cm) between air discharge on back of oven and back wall.

Oven Clearances



To avoid risk of electrical shock or death, this oven must be grounded.



To avoid risk of electrical shock or death, do not alter the plug.



## Grounding/Earthing Instructions

**Oven MUST be earthed.**

Earthing reduces risk of electric shock by providing an escape wire for the electric current, if an electrical short occurs. This oven is equipped with a cord having a earth wire with a earthing plug. The plug must be plugged into an outlet that is properly installed and earthed.

Consult a qualified electrician or servicer if earthing instructions are not completely understood, or if doubt exists as to whether the oven is properly earthed.

## Do not use an extension cord.

If the product power cord is too short, have a qualified electrician install a three-slot receptacle. This oven should be plugged into a separate circuit with the electrical rating as provided in product specifications (available on Amana's wavelink website). When a microwave oven is on a circuit with other equipment, an increase in cooking times may be required and fuses can be blown.

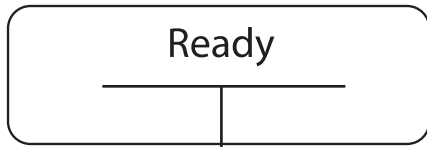
## External Equipotential

### Earthing Terminal (export only)

Equipment has secondary earthing terminal. Terminal provides external earthing connection used in addition to earthing prong on plug. Located on outside of oven back, terminal is

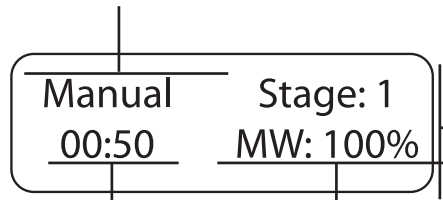


# Display and Features



Ready indicates the oven is ready to operate.

Indicates oven is in a manual cooking program



Time left in cooking program

Percentage of microwave power

Cooking information shows in display after pressing Time Entry while in Ready Mode.

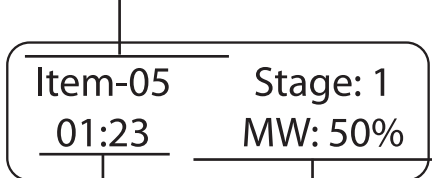
## Cooking Display

? There are words in the display that never actually display.

The display is used for many different models of microwaves. Depending on the model, certain words or symbols may never be highlighted or become visible.

DISPLAYS	DESCRIPTION
<b>00:00</b>	Displays cooking time. If stage cooking is programmed, total cooking time displays.
<b>MW 50%</b>	<b>MW 50%</b> displays the current microwave power level. 100% is the highest setting, and 0% is the lowest. (example of 50 microwave power shown)
<b>ITEM-05</b>	<b>ITEM-05</b> displays the single or double digit entry of a programmed cooking condition when using a programmed pad. (example of item 05 shown)
<b>STAGE 1</b>	<b>STAGE 1</b> displays to show the stage number (1 through 4) the oven is at in the cooking cycle.

Indicates oven is in a preprogrammed cooking program



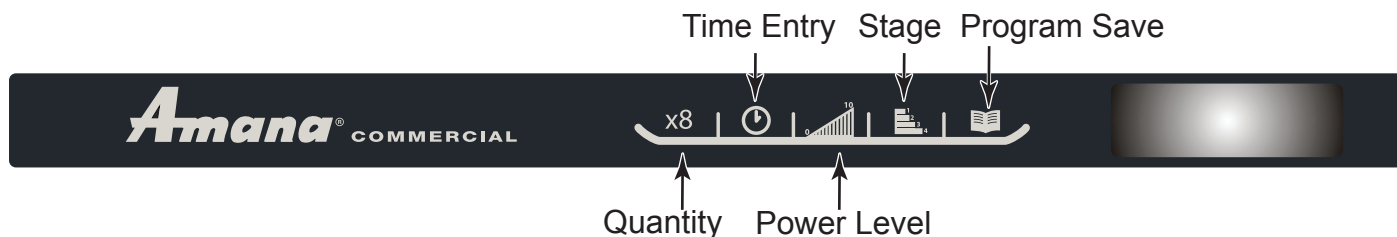
Time left in cooking program

Percentage of microwave power

## Programming Display

DISPLAYS	DESCRIPTION
<b>Enter Program to Add/ Review:</b>	Displays cooking time. If stage cooking is programmed, total cooking time displays.
<b>STAGE 1</b>	Displays the stage number during cooking or when programming a specific cooking stage. Stage number (1 through 4) indicates the stage that is being used in the cook.

# Display and Features



## Single Pad Programming



This feature enables each numbered pad to be programmed for a specific use, such as cooking a certain number of potatoes or defrosting and then cooking vegetables or other frozen foods. To use this feature, simply program the pad to the desired length of time and power level. To use this feature, press the pad once and the microwave will begin cooking.



## START Pad

The start pad is used to begin a manual time entry cooking cycle.

## Double Pad Programming



This feature enables 100 programmed entries to be made. Each entry will be assigned a double digit number, for example 01, 05, or 20. When using the double pad programming, two pads must be pressed to start the cooking cycle.



## STOP/RESET pad

The STOP/RESET pad stops a cooking sequence in progress,

clears out any remaining time, and also ends a programming or user option cycle. When the STOP/RESET pad is used to end a programming or option change, the changes are discarded.

## Manual Time Entry



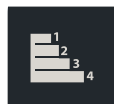
In addition to programmable pads, this microwave also accepts specific time entry by using the TIME ENTRY pad. Using manual time entry does not affect the programmed buttons.

## Quantity Pad



The quantity pad increases a preset cooking time by a percentage of the original cooking time. The user specifies the percentage and it can be changed for individual cooking sequences. Quantity can be increased up to 8 times. Once pressed, QTY will display with the number times the cooking time will be extended. This feature is very useful for cooking multiple servings of foods such as potatoes or slices of pizza.

## Stage Cooking



Stage cooking is a cooking sequence with specific power stage changes. The user can program up to four different power level changes and the specific amount of cooking time at each power level. Each power level/cooking time combination is known as a stage. Up to four stages can be programmed.

## Mid-Cycle Cooking Pause

The cooking pause is a feature unique to this series of microwaves. This pause enables extra ingredients to be added, cooking progress to be checked, or for food to sit a necessary amount of time between cooking time or power settings. To utilize Cooking Pause, follow programming sequences for programmable pads.

## User Options

This microwave can be set for specific user preferences. Options such as beep volume, and the number of programmable pads can be changed. To change different options, see *User Options* in this manual.

# Using the Oven Control

## Microwave Cooking

Microwave cooking uses high frequency energy waves to heat the food. When cooking, microwave energy causes food molecules to move rapidly. This rapid movement between the food molecules creates heat, which cooks the food. **POWER** displays when oven is generating microwave energy for the current cycle.

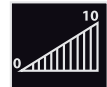
## The microwave stopped cooking

This series of microwaves has the added feature of a mid-cycle cooking pause. This feature is designed to stop halfway through a programmed cycle. This pause can be used to rotate food, stir food, or add needed ingredients during the cooking cycle. During a mid-cycle cooking pause, the microwave beeps continuously and **PROGRAM PAUSED** displays until the oven door is opened and again closed. To continue the cooking cycle, simply press the start button.

## Manual Time Entry

To cook food using a specific entered time and power level.

- Open oven door and place food in oven. Close door.
  - READY** displays. Fan and light will turn on.
- Press **TIME ENTRY** pad.
  - If pad does not work, open and close oven door and try again.
- Enter cooking time by using the numbered pads.
- Press **POWER LEVEL** pad to change power level.
  - For a lower microwave power, press pads 1 (for 10%) through 9 (for 90%).
- If stage cooking is desired, press **STAGE** and repeat steps 2 through 4.
  - As many as 4 different stages can be programmed.
- Press **START** pad.
  - Oven operates and time counts down.
- At end of cooking cycle oven beeps and shuts off. **DONE** displays



## Preprogrammed Pads

To cook food using pads preprogrammed with cooking sequences.

- Open oven door and place food in oven. Close door.
  - READY** displays. Fan and light will turn on.
- Press desired pad.
  - For single pad entry, press only one pad.
  - For double pad entry, press the two pads, in order, of the double digit number for the desired cooking sequence.
  - To change single or double pad entry option see *User Options* section in this manual.
- Oven begins to cook.
  - For additional cooking time, press preprogrammed pad again.
- At end of cooking cycle oven beeps and shuts off. **DONE** displays.



### Factory Settings

Pad	Time	Pad	Time
1	10 sec.	6	1:30 min.
2	20 sec.	7	2 min.
3	30 sec.	8	3 min.
4	45 sec.	9	4 min.
5	1 min.	0	5 min.



# Programming the Oven Control

## Programming Pads

Oven is shipped from the factory set for single pad programming. To change the oven default to double pad programming, see *User Option* section. To program the amount of time or power level setting for a pad:

1. **READY** must be in the display. If not, open and close door.
2. Press PROGRAM SAVE.pad
  - Programming mode begins.
  - Enter Program to Add/Review: displays.
3. Press pad to be programmed or reprogrammed.
  - Display will change to review all settings for the pad.
  - The pad number that is being programmed displays beside the word **ITEM**.
4. Press TIME ENTRY to program amount of cooking time.
  - Enter desired cooking time by using numeric key pads.
  - Maximum cooking time is 60 minutes.
5. Press POWER LEVEL to program level of microwave power.
  - Press numeric key pad for desired level. Press numeric key pad again to set power level to 100%.
  - For a lower microwave power, press pads 1 (for 10%) through 9 (for 90%).
6. Press Quantity pad if different cooking factor is desired.
  - Default of CF:80 displays.
  - Enter desired cooking factor by using numeric key pads (1 for 10% through 0 for 100%).
7. Press PROGRAM SAVE to save the program changes.
8. To discard changes, press STOP/RESET.



## What is stage cooking?

Stage cooking enables several different cooking cycles, or stages, to be used consecutively without repeated input from the user. Stage cooking can be set to defrost food initially, then cook it, and then keep the food warm until serving time. The total cooking time for all combined stages cannot exceed 60

### Example of Stage Cooking Conditions

	Stage 1	Stage 2	Stage 3
Power	H (high)	3	9
Time	2:30	1:30	1:30

## What is a quantity cook factor?

Each preprogrammed cooking cycle can be set with a specific cooking factor. The cooking factor is the amount of extra time added as a percentage of the original time. Each time the quantity pad is pressed, the cooking time will be increased by the user-specified percentage. ACP's default cooking factor is 80%.

## Programming Multiple Stages

Stage cooking allows consecutive cooking cycles without interruption. Up to four different cooking cycles can be programmed into a memory pad.

To use stage cooking:


1. Follow steps 1 through 5 above.
6. Press STAGE.
  - This will begin programming for the next cooking stage.
  - Display indicates stage to be programmed.
  - Enter cook time and power level as in steps 4 and 5.
  - To enter another cooking stage for that pad, press STAGE pad again.
  - Up to four different stages can be programmed.
  - Total cooking time (all stages totalled) is 60 minutes.
7. Press Quantity pad.
  - CF:80 displays.
  - Enter desired cooking factor by using numeric key pads (1 for 10% through 0 for 100%).
8. Press PROGRAM SAVE to save the program and changes.
9. To discard changes, press STOP/RESET before pressing PROGRAM SAVE.



## Mid-Cycle Pause

To add a pause to a programmed cooking cycle

1. Press HIDDEN PAD after entering time or power level.
2. A short beep sounds. This indicates the program is set for a mid-cycle pause.
3. Continue programming pad as desired.

When programmed pad is used, pause will occur in the middle of total programmed time. Oven will beep continuously and **Program Paused** displays until door is open and shut. To continue cycle, press START  pad.

# User Options



## Changing user options



Options such as single or double pad programming and beep volume can be changed to suit individual preferences.

### Didn't like an option?

Factory settings are marked in bold.

To change the oven back to the factory setting, simply select the option that is marked in bold.

### If oven has just been energized door must be opened and closed before proceeding:

1. Press hidden pad.
  - Pad is unmarked.
  - The display remains blank when hidden pad is pressed.
2. Press PROGRAM SAVE  pad.
  - The first user option will display. Oven is now in options mode.
3. Press number pad that controls option to be changed.
  - See table below for options.
  - Current option will display.
4. Press number pad again to change the option.
  - Each time pad is pressed, option will change.
  - Match code displayed with code for desired option.
  - Changes take affect after pad is pressed.
  - To change additional options, repeat steps 3 and 4.
5. Press PROGRAM SAVE  to return to READY, or open and close oven door.

Numbered Pads	Displays	Options
<b>1</b> Double Digit Entry	Disabled Enabled	<b>Allows 10 (0-9) preprogrammed pads.</b> Allows 100 (00-99) preprogrammed pads.
<b>2</b> Manual Programming	Disabled Enabled	Manual time entry/cooking not allowed <b>Manual time entry/cooking allowed</b>
<b>3</b> Reset on Door Open	Disabled Enabled	<b>Opening oven door does not reset oven back to ready</b> Opening oven door resets the oven back to ready mode
<b>4</b> Keybeep	OFF ON	Keys do not beep when pressed (keybeep off) <b>Keys beep when pressed (keybeep on)</b>
<b>5</b> Speaker Volume	OFF LOW MEDIUM HIGH	Keybeep volume OFF Keybeep volume LOW Keybeep volume MEDIUM <b>Keybeep volume HIGH</b>
<b>6</b> End of Cook Signal	<b>Solid Beep</b> 3 Second Beep 4 Beeps Once 4 Beeps Repeating	<b>Food done signal is a continuous beep until reset by user</b> Food done signal is a three second beep Food done signal is four beeps continuously Food done signal is four beeps, four times
<b>7</b> Keypad Active	15 Seconds 30 Seconds <b>60 Seconds</b> 120 Seconds Always	Keypad time entry window is 15 seconds Keypad time entry window is 30 seconds <b>Keypad time entry window is one minute</b> Keypad time entry window is two minutes Keypad time entry window is always active
<b>Stage Pad</b> Clean Filter Message (Frequency)	Disabled <b>Weekly</b> Monthly Quarterly	Oven will not display Clean Filter <b>Oven will display Clean Filter every seven (7) days</b> Oven will display Clean Filter every thirty (30) days Oven will display Clean Filter every ninety (90) days

## Cleaning Interior, Exterior, and Door

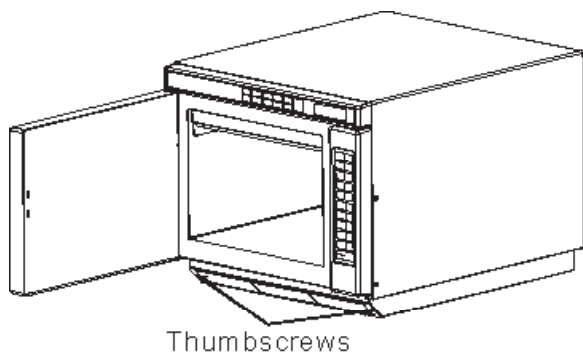
Clean microwave oven with mild detergent in warm water using soft sponge or cloth. Wring sponge or cloth to remove excess water before wiping equipment. If desired, boil a cup of water in microwave oven to loosen soil before cleaning. **DO NOT allow cooking residues such as grease or fat to remain in oven interior for any length of time.**

- Do NOT allow cooking residues to remain in oven cavity.
- Do NOT use abrasive cleansers or cleaners containing ammonia. These could damage finish.
- NEVER pour water into microwave oven bottom.
- Do NOT use water pressure type cleaning systems.

## Cleaning Air Intake Filter

Clean air intake filter weekly for proper air flow. Wash filter in hot water and mild detergent. Do not use oven without filter in place. Filter is located just below oven door.

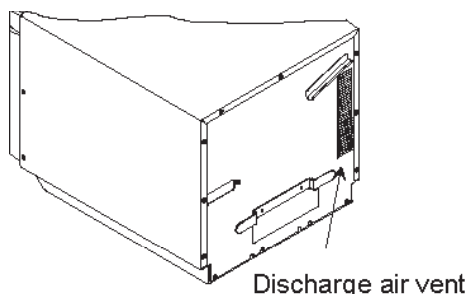
- To remove, turn thumbscrews counterclockwise.
- To reinstall, position filter over air intake and turn thumbscrews clockwise.



Removing Air Intake Filter

## Cleaning Discharge Air Vents

Check for a buildup of cooking vapors along discharge louvers in back of oven monthly. Clean air vent with damp cloth to ensure proper airflow. Dry thoroughly.



To avoid risk of product damage, clean air filter regularly.



To avoid risk of electrical shock, severe personal injury or death, unplug power cord or open circuit breaker to oven before cleaning.

# Care and Cleaning

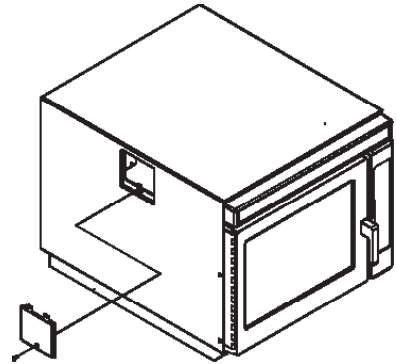
## WARNING

To avoid risk of burns or electrical shock:

- disconnect electrical supply to oven before changing light bulb.
- before replacing light bulb make sure oven and bulb are cool.
- do not operate oven without bulb and access cover in place.

## Replacing Oven Light

1. Disconnect electrical supply.
2. Remove screw from access cover on top left wall of oven exterior.
3. While wearing protective gloves, unscrew the light bulb counterclockwise.
4. Replace light bulb with 230-volt, 40-watt appliance bulb.
  - **Do not over tighten bulb or it may be difficult to remove later.**
5. Replace access cover before use.
6. Reconnect power supply.



## CAUTION

To avoid risk of personal injury, wear gloves to protect hands from accidental bulb breakage.

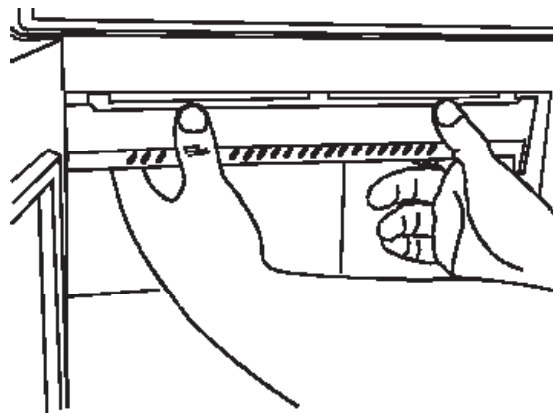
## Cleaning Splatter Shield

Splatter shield keeps top of microwave oven cavity and antenna from becoming soiled. Clean soil from shield with damp cloth or clean with mild detergent and water. Remove splatter shield for easy cleaning.

1. Unplug oven before removing splatter shield to stop antenna from rotating.
2. Place fingers on front of shield, push forward, and down.
  - When removing and replacing splatter shield, be careful not to bend antenna.

## CAUTION

To avoid risk of product damage, do not operate oven without splatter shield in place. Arcing will damage oven cavity and antenna when operated without shield in place.



Removing Splatter Shield

3. Wash shield in hot, soapy water. Rinse and dry thoroughly.
  - Do not wash splatter shield in dishwasher.
  - Do not use abrasive cleaners.
4. Reinstall splatter shield by fitting tabs into slots at top of oven cavity back. Lift and press front of shield until shield snaps into place.

# Before Calling for Service

## ⚠ WARNING

To avoid electrical shock which can cause severe personal injury or death, do not remove outer case at any time. Only an authorized servicer should remove outer case.

Problem	Possible Cause
Oven does not operate.	<p>Confirm oven is plugged into dedicated circuit.</p> <p>Confirm oven is on grounded and polarized circuit. (Contact electrician to confirm.)</p> <p>Check fuse or circuit breaker.</p>
Oven operates intermittently.	Check air filter and discharge areas for obstructions.
If oven does not accept entries when pad is pressed.	<p>Make sure oven is on.</p> <p>Open and close door. Press pad again.</p>
If oven malfunctions or shows CALL SERVICE or an ERROR with a number	<p>Oven control is equipped with self-diagnostic system. Self-diagnostic system alerts you if there is a problem or error. When electronic control signals a problem, follow steps listed below:</p> <ol style="list-style-type: none"> <li>1. Record number shown.</li> <li>2. Unplug oven. Wait one (1) minute. Plug in oven               <ul style="list-style-type: none"> <li>- Disconnecting electrical supply may eliminate service code.</li> </ul> </li> </ol> <p>If failure continues, contact ComServ or an authorized Amana servicer.</p>
Oven operates but does not heat food.	<p>Place one cup of water in oven.</p> <p>Run for one (1) minute at full power (100%)</p> <p>If temperature does not rise, oven is not operating correctly.</p> <p>Contact ComServ or an authorized ACP servicer.</p>
HOT displays	Oven's magnetron is overheated. Oven automatically interrupts cooking sequence and turns on cooling fan until normal temperature is reached. When magnetron cools to normal temperature, oven returns to READY mode.
CALL SERVICE (flashing after cook cycle)	Oven may not be operating at full power. Contact ComServ or ACP Authorized Servicer.