

Parts Catalog



C12 Slicer

SLICING MACHINE

MODEL: C12

10-25-13N

IMPORTANT!

TO EXPEDITE SHIPMENT OF PARTS, ALWAYS SPECIFY MODEL, REV,
PART NUMBER, AND SERIAL NUMBER OF SLICER.

GLOBE FOOD EQUIPMENT COMPANY

2215 East River Road
Dayton, Ohio 45439

Parts Department

Toll Free 1-800-745-6238 • Fax (937) 290-0585

E-Mail: globeinfo@globeslicers.com

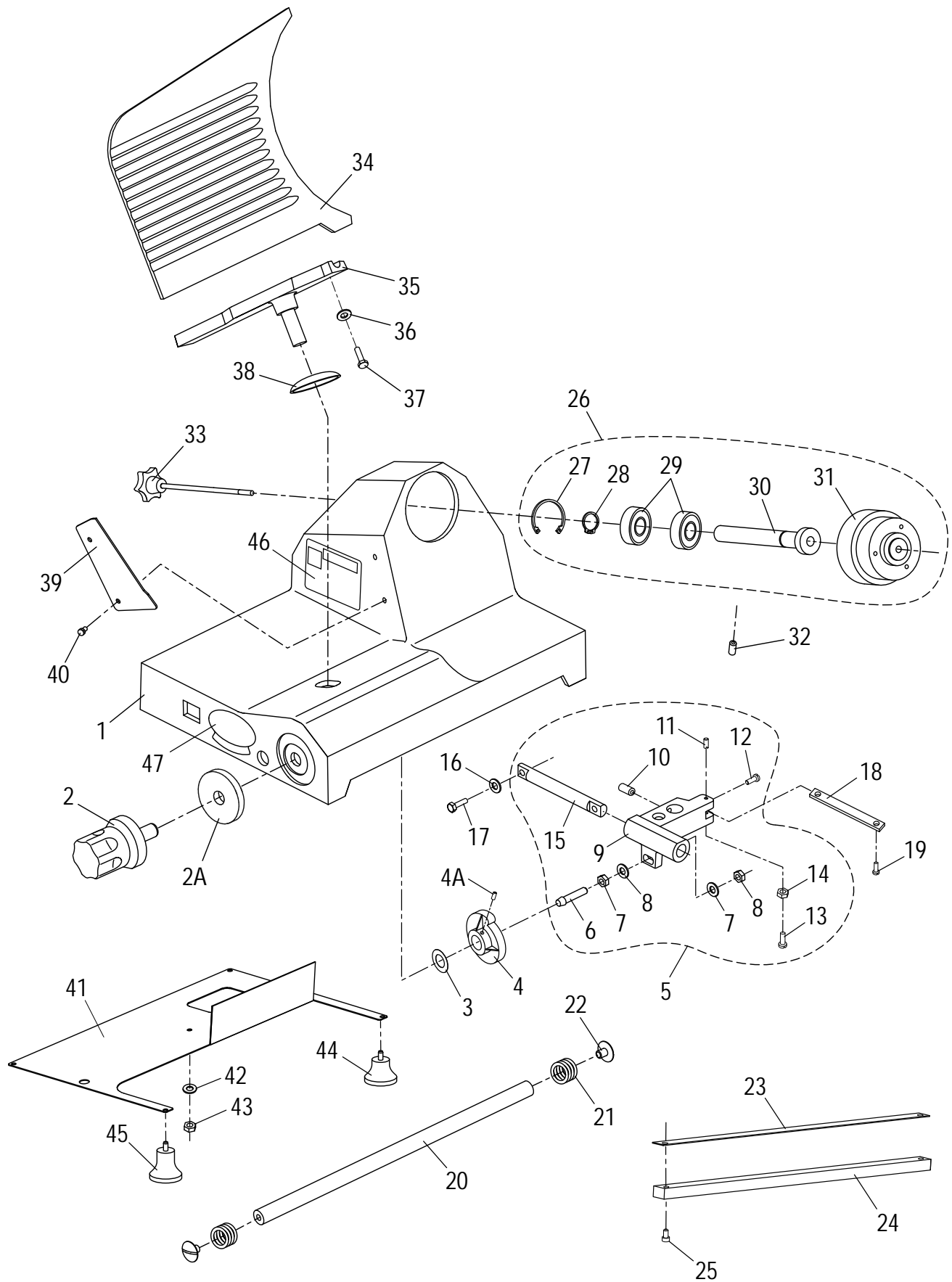
Website: www.globeslicers.com

Not for resale

TABLE OF CONTENTS

Serial Number 303664 and Up	Page
Base Components	1 - 2
Chute Components	3
Knife & Sharpener Components	4
Electrical Components	5
Wiring Diagram	6

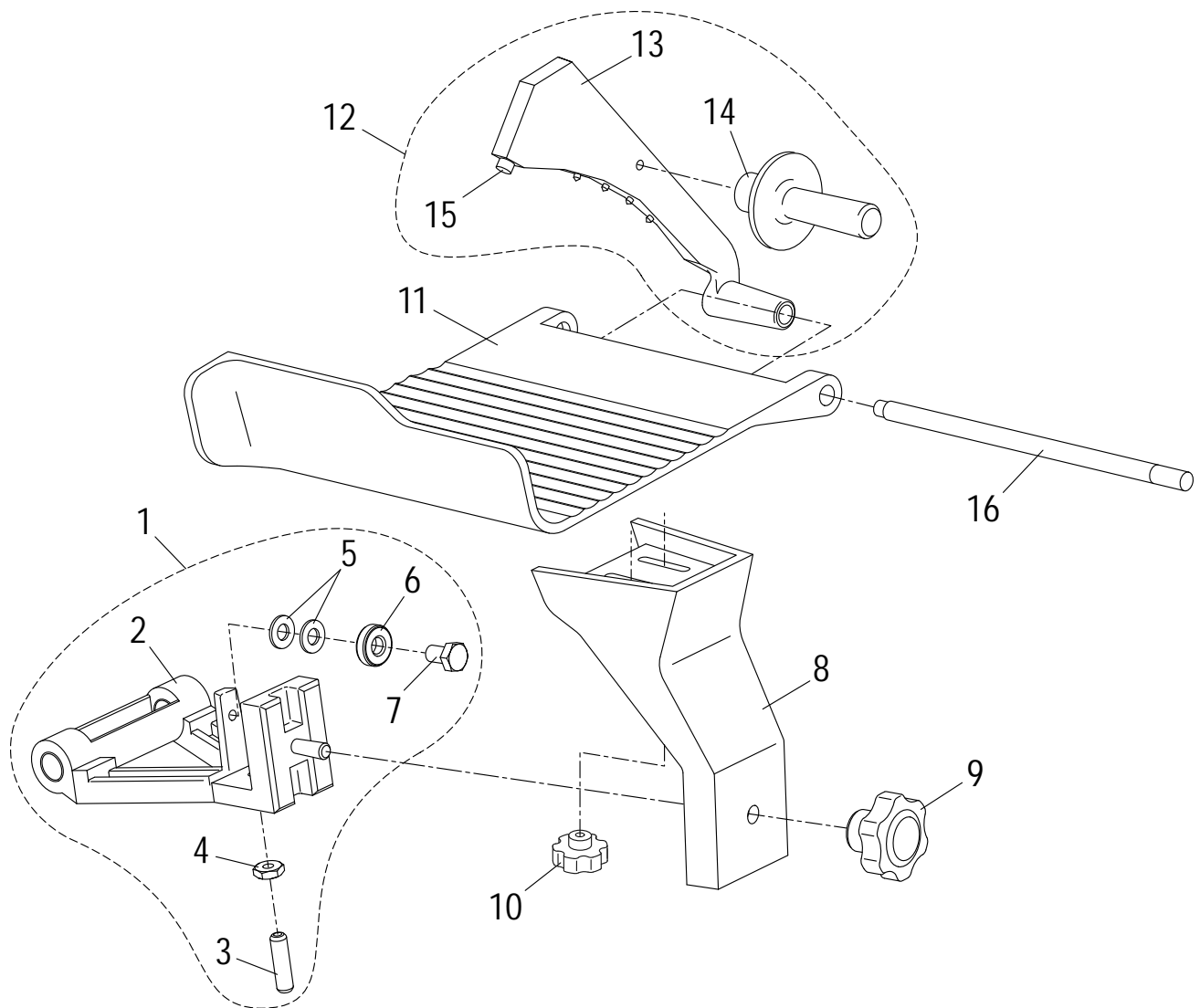
C12 BASE COMPONENTS



C12 BASE PARTS LIST

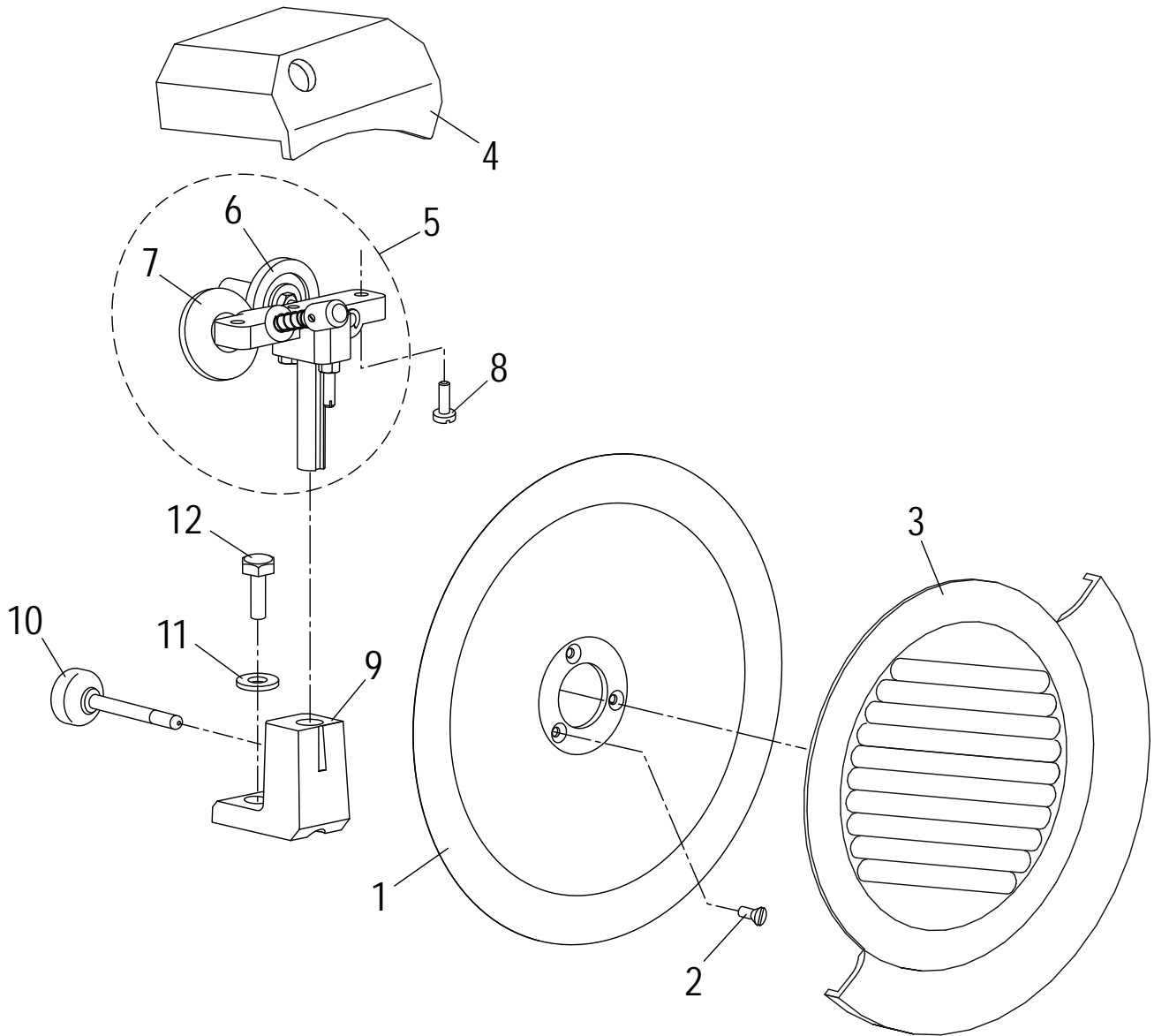
Item	Description	Qty	Part Numbers	Standard Hardware
1	Slicer Base	1	-	
2	Table Adjustment Knob	1	M00206	
2A	Table Adjustment Ferrule	1	M00211	
3	Wavy Washer	1	M003	
4	Table Adjustment Cam	1	M004	
4A	Set Screw	2	H00181	M5x10 Dog Point
5	Table Slide Assembly (Item 6 - 15)	1	MC009	
6	Cam Actuator Stud	1	M013	
7	Actuator Washer	2	H00191	M8 Flat Washer
8	Actuator Nut	2	H00192	M8 Hex Nut
9	Table Slide	1	-	
10	Table Slide Set Screw, Side	2	H00186	M8x10 Cup Point
11	Table Slide Set Screw, Top	1	H00182	M5x10 Flat Point
12	Table Slide Screw, End	1	H00189	M4x10 Cylindrical Head
13	Table Slide Set Screw, Bottom	1	H00188	M5x20 Flat Point
14	Table Slide Nut, Bottom	1	H00028	M5 Hex Nut
15	Table Slide Rod	1	MCB36	
16	Slide Rod Washer	2	H00191	M8 Flat Washer
17	Slide Rod Mounting Screw	2	H00116	M6x20 Hex Head
18	Table Slide Plate	1	M016	
19	Slide Plate Mounting Screw	2	H00061	M5x10 Cylindrical Head
20	Carriage Slide Rod	1	M059	
21	Carriage Spring	2	M061	
22	Carriage Slide Rod Screw	2	M060	
23	Wear Strip	1	M063	
24	Square Slide Bar	1	M062	
25	Slide Bar Mounting Screw	2	H00056	M6x20 Hex Washer Head
26	Knife Hub Assembly (Item 27 - 31)	1	M00214	
27	Retaining Ring, Internal	1	H00193	47mm DIN 472
28	Retaining Ring, External	1	H00195	20mm DIN 471
29	Bearing	2	M020	
30	Knife Pulley Shaft	1	MCC12/1USA	
31	Knife Pulley	1	MCC12/2	
32	Knife Shaft Set Screw	1	H00184	M6x13 Cup Point
33	Knife Cover Release Knob	1	M00222	
34	Table	1	M00226	
35	Table Support	1	M00227	
36	Table Support Washer	2	H00191	M8 Flat Washer
37	Table Support Mounting Screw	2	H00196	M8x30 Hex Head
38	Base Hole Cover	1	M00228	
39	Deflector	1	M097	
40	Deflector Thumb Screw	2	MCC23	
41	Bottom Cover	1	M113	
42	Cover Washer	1	H00063	M5 Flat Washer
43	Cover Nut	1	H00028	M5 Hex Nut
44	Back Foot	2	M115	
45	Front Foot	2	M00229	
46	Label, Warning	1	M91022	
47	Label, Chefmate	1	M91020	

C12 CHUTE COMPONENTS



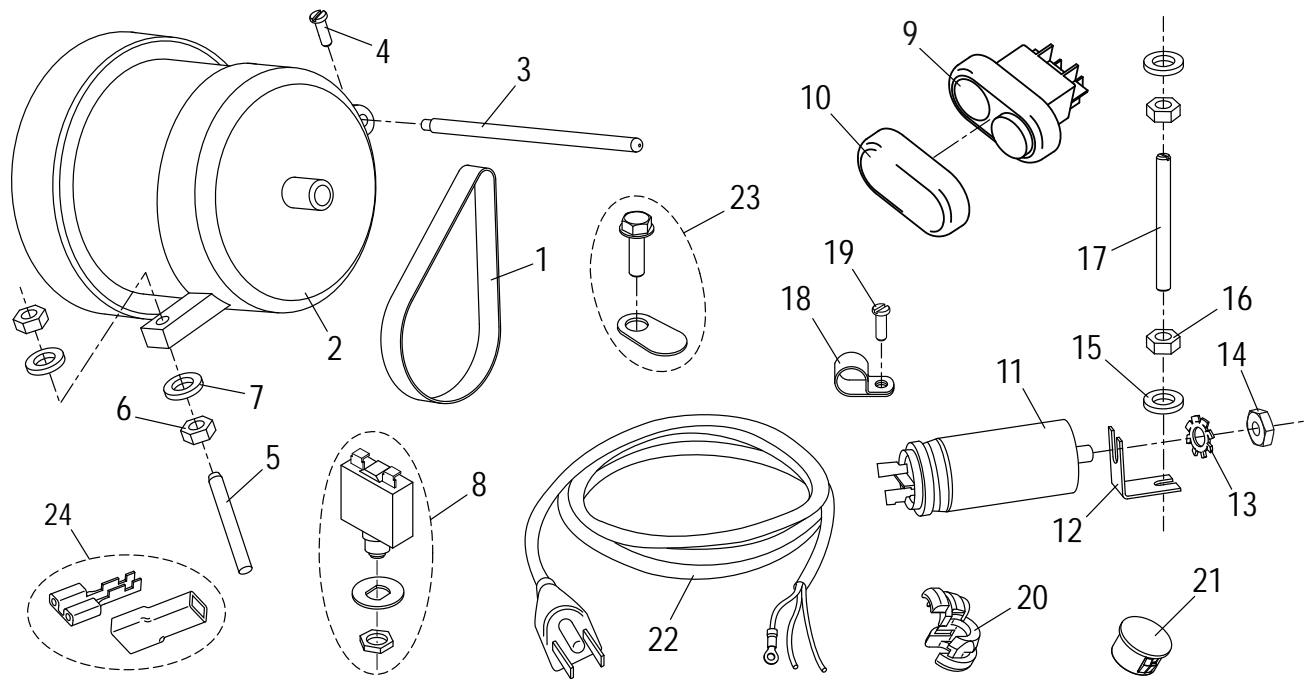
Item	Description	Qty	Part Number	Standard Hardware
1	Chute Slide Assembly (Item 2 - 7)	1	MC006	
2	Chute Slide	1	-	
3	Brass Stud	1	M053	
4	Stud Nut	1	H00192	M8 Hex Nut
5	Flat Washer	2	H00191	M8 Flat Washer
6	Bearing	1	MCA29	
7	Bearing Mounting Screw	1	H00116	M6x20 Hex Head
8	Chute Support	1	M00346	
9	Chute Support Knob	1	M00253	
10	Chute Release Knob	1	M00254	
11	Chute	1	M00366	
12	Endweight Assembly (Item 13 - 15)	1	M00264	
13	End Weight	1	-	
14	End Weight Handle	1	M00257	
15	End Weight Bumper	1	M108	
16	End Weight Rod	1	M00258	

C12 KNIFE AND SHARPENER COMPONENTS



Item	Description	Qty	Part Number	Standard Hardware
1	Knife	1	MCB13	
2	Knife Mounting Screw	3	H00200	M5x10 Flat Head SS
3	Knife Cover	1	MCB4USA	
4	Sharpener Cover	1	MCB11	
5	Sharpener Assembly	1	M00395	
6	Deburring Stone	1	M092	
7	Sharpening Stone	1	M091	
8	Sharpener Cover Mounting Screw	2	H00187	M5x165 Cylindrical Head
9	Sharpener Support	1	MCB10	
10	Knife Cover Release Knob	1	M096	
11	Sharpener Support Washer	1	H00191	M8 Flat Washer
12	Sharpener Support Mounting Bolt	1	H00117	M8x20 Hex Head

C12 ELECTRICAL COMPONENTS



Item	Description	Qty	Part Number	Standard Hardware
1	Drive Belt	1	MCB51	
2	Knife Motor	1	MCL43/2	
3	Post, Motor Pivot	1	M031	
4	Screw	1	H00189	M4x10 Cylindrical Head
5	Motor Stud	1	H00347	M6x50 Threaded Rod
6	Motor Nut	2	H00020	M6 Hex Nut
7	Motor Washer	2	H00014	M6 Flat Washer
8	Motor Reset Switch	1	M038	
9	Power Switch	1	MCR68	
10	Power Switch Cover	1	MCR59	
11	Capacitor, 16 μ f	1	M039	
12	Capacitor Mounting Bracket	1	-	
13	Capacitor Lock Washer	1	H00335	M8 Ext Tooth Lock Washer
14	Capacitor Mounting Nut	1	H00192	M8 Hex Nut
15	Cover Spacer Washer	2	H00063	M5 Flat Washer
16	Cover Spacer Nut	2	H00028	M5 Hex Nut
17	Cover Spacer Stud	1	M00369	M5x55 Threaded Rod
18	Cable Clamp	1	M037	
19	Cable Clamp Screw	1	H00061	M5x10 Cylindrical Head
20	Strain Relief	1	M111	
21	Hole Plug	1	MCC80	
22	Power Cord & Plug	1	MB65/4F	
23	Ground Screw/Marking Tab Set	1	M00334	M5x8 Hex Washer Head
24	Female Terminal/Insulator Set	8	M00233	

C12 WIRING DIAGRAM 115V, 50/60Hz, 1PH

