

Parts Catalog



C10 Slicer

SLICING MACHINE

MODEL: C10

10-24-13N

IMPORTANT!

TO EXPEDITE SHIPMENT OF PARTS, ALWAYS SPECIFY MODEL, REV,
PART NUMBER, AND SERIAL NUMBER OF SLICER.

GLOBE FOOD EQUIPMENT COMPANY

2215 East River Road
Dayton, Ohio 45439

Parts Department

Toll Free 1-800-745-6238 • Fax (937) 290-0585

E-Mail: globeinfo@globeslicers.com

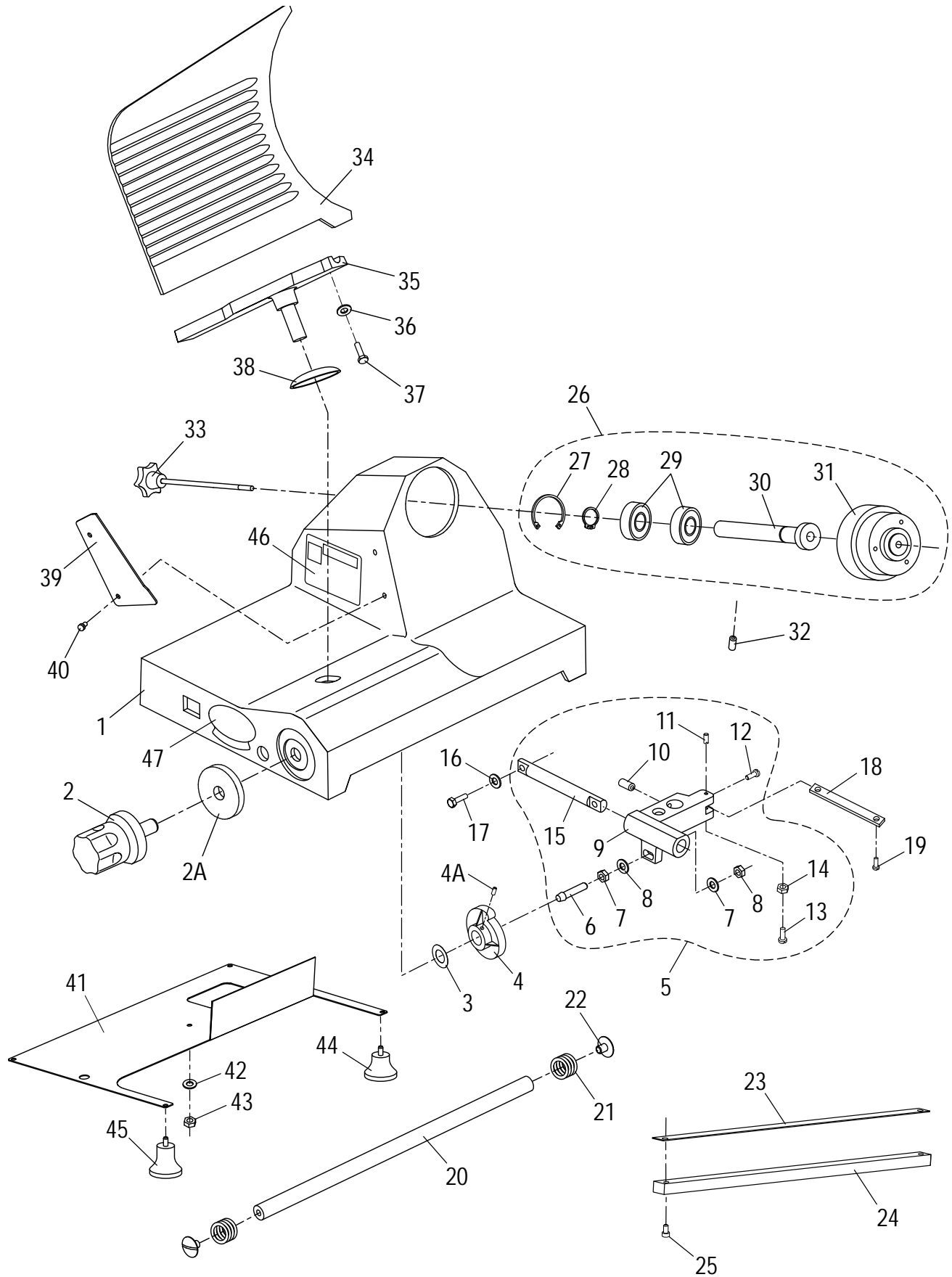
Website: www.globeslicers.com

Not for resale

TABLE OF CONTENTS

| Serial Number 203547 and Up | Page |
|------------------------------|-------|
| Base Components | 1 - 2 |
| Chute Components | 3 |
| Knife & Sharpener Components | 4 |
| Electrical Components | 5 |
| Wiring Diagram | 6 |

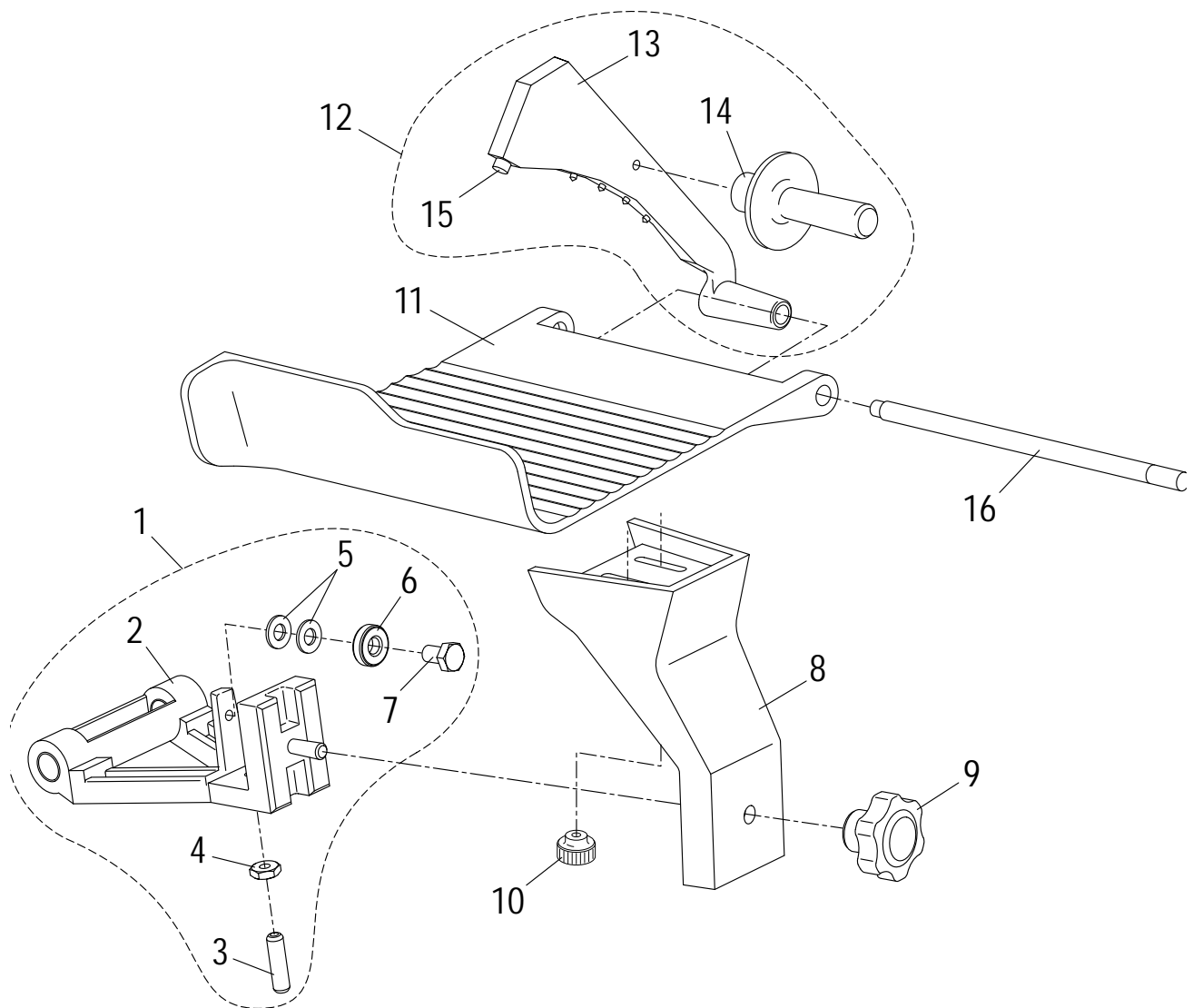
C10 BASE COMPONENTS



C10 BASE PARTS LIST

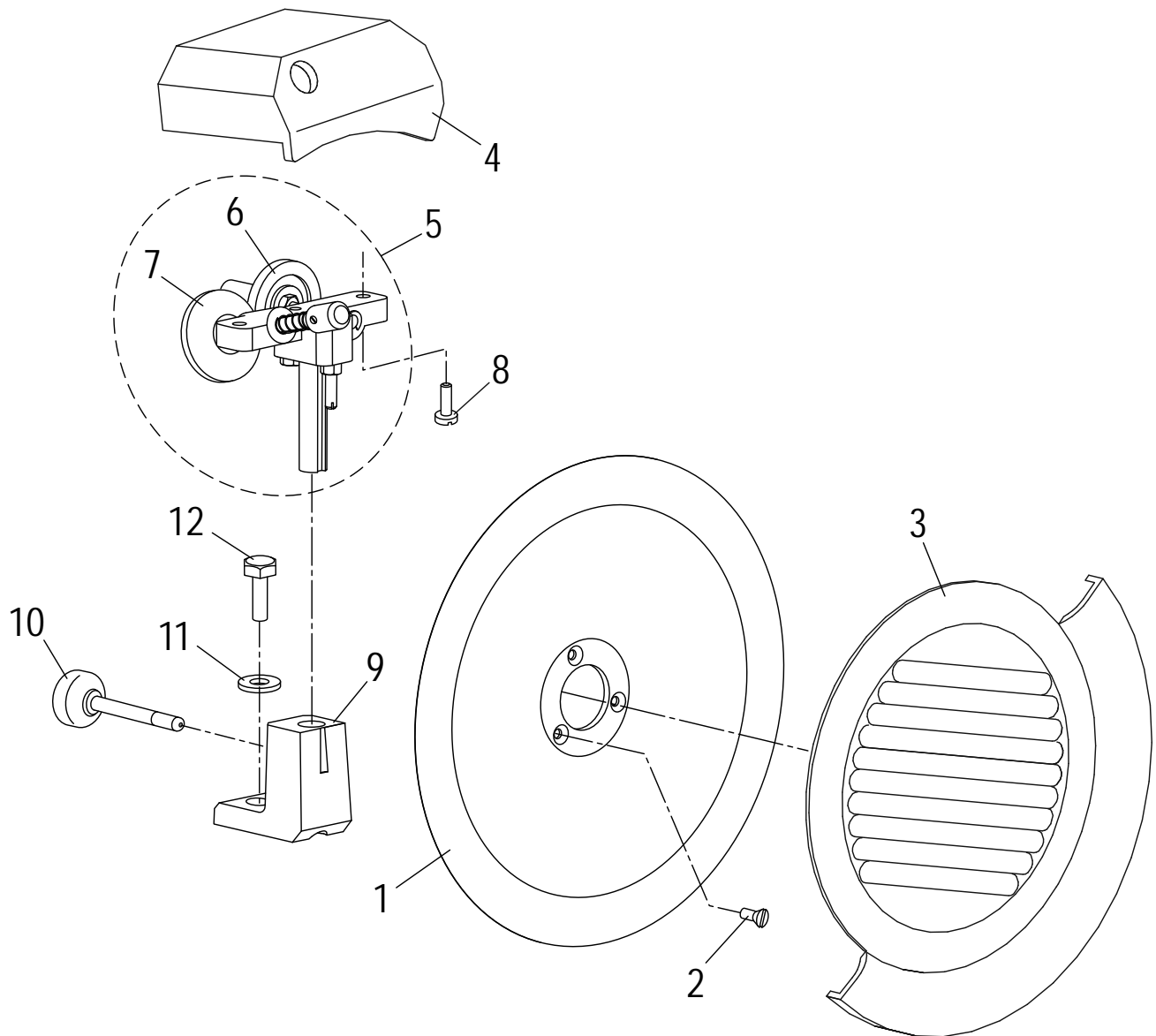
| Item | Description | Qty | Part Numbers | Standard Hardware |
|------|------------------------------------|-----|--------------|------------------------|
| 1 | Slicer Base | 1 | - | |
| 2 | Table Adjustment Knob | 1 | M00205 | |
| 2A | Table Adjustment Ferrule | 1 | M00210 | |
| 3 | Wavy Washer | 1 | MCA32 | |
| 4 | Table Adjustment Cam | 1 | MCA33 | |
| 4A | Set Screw | 2 | H00181 | M5x10 Dog Point |
| 5 | Table Slide Assembly (Item 6 - 15) | 1 | MC002 | |
| 6 | Cam Actuator Stud | 1 | MCA34 | |
| 7 | Actuator Washer | 2 | H00014 | M6 Flat Washer |
| 8 | Actuator Nut | 2 | H00020 | M6 Hex Nut |
| 9 | Table Slide | 1 | - | |
| 10 | Table Slide Set Screw, Side | 2 | H00186 | M8x10 Cup Point |
| 11 | Table Slide Set Screw, Top | 1 | H00182 | M5x10 Flat Point |
| 12 | Table Slide Screw, End | 1 | H00189 | M4x10 Cylindrical Head |
| 13 | Table Slide Screw, Bottom | 1 | H00187 | M5x16 Cylindrical Head |
| 14 | Table Slide Nut, Bottom | 1 | H00028 | M5 Hex Nut |
| 15 | Table Slide Rod | 1 | MCA36 | |
| 16 | Slide Rod Washer | 2 | H00014 | M6 Flat Washer |
| 17 | Slide Rod Mounting Screw | 2 | H00190 | M5x16 Hex Head |
| 18 | Table Slide Plate | 1 | MCA35 | |
| 19 | Slide Plate Mounting Screw | 2 | H00061 | M5x10 Cylindrical Head |
| 20 | Carriage Slide Rod | 1 | MCA26 | |
| 21 | Carriage Spring | 2 | MCA27 | |
| 22 | Carriage Slide Rod Screw | 2 | MCA25 | |
| 23 | Wear Strip | 1 | MCA31/1 | |
| 24 | Square Slide Bar | 1 | MCA31 | |
| 25 | Slide Bar Mounting Screw | 2 | H00187 | M5x16 Cylindrical Head |
| 26 | Knife Hub Assembly (Item 27 - 31) | 1 | M00213 | |
| 27 | Retaining Ring, Internal | 1 | H00053 | 35mm DIN 472 |
| 28 | Retaining Ring, External | 1 | H00194 | 15mm DIN 471 |
| 29 | Bearing | 2 | MCA12/3 | |
| 30 | Knife Pulley Shaft | 1 | MCA12/1USA | |
| 31 | Knife Pulley | 1 | MCA12/2 | |
| 32 | Knife Shaft Set Screw | 1 | H00183 | M5x10 Cup Point |
| 33 | Knife Cover Release Knob | 1 | M00215 | |
| 34 | Table | 1 | M00221 | |
| 35 | Table Support | 1 | M00217 | |
| 36 | Table Support Washer | 2 | H00014 | M6 Flat Washer |
| 37 | Table Support Mounting Screw | 2 | H00043 | M6x25 Hex Head |
| 38 | Base Hole Cover | 1 | M00218 | |
| 39 | Deflector | 1 | MCA22/1 | |
| 40 | Deflector Thumb Screw | 2 | MCC23 | |
| 41 | Bottom Cover | 1 | MCA64USA | |
| 42 | Cover Washer | 1 | H00063 | M5 Flat Washer |
| 43 | Cover Nut | 1 | H00028 | M5 Hex Nut |
| 44 | Back Foot | 2 | M00219 | |
| 45 | Front Foot | 2 | M00220 | |
| 46 | Label, Warning | 1 | M91022 | |
| 47 | Label, Chefmate | 1 | M91020 | |

C10 CHUTE COMPONENTS



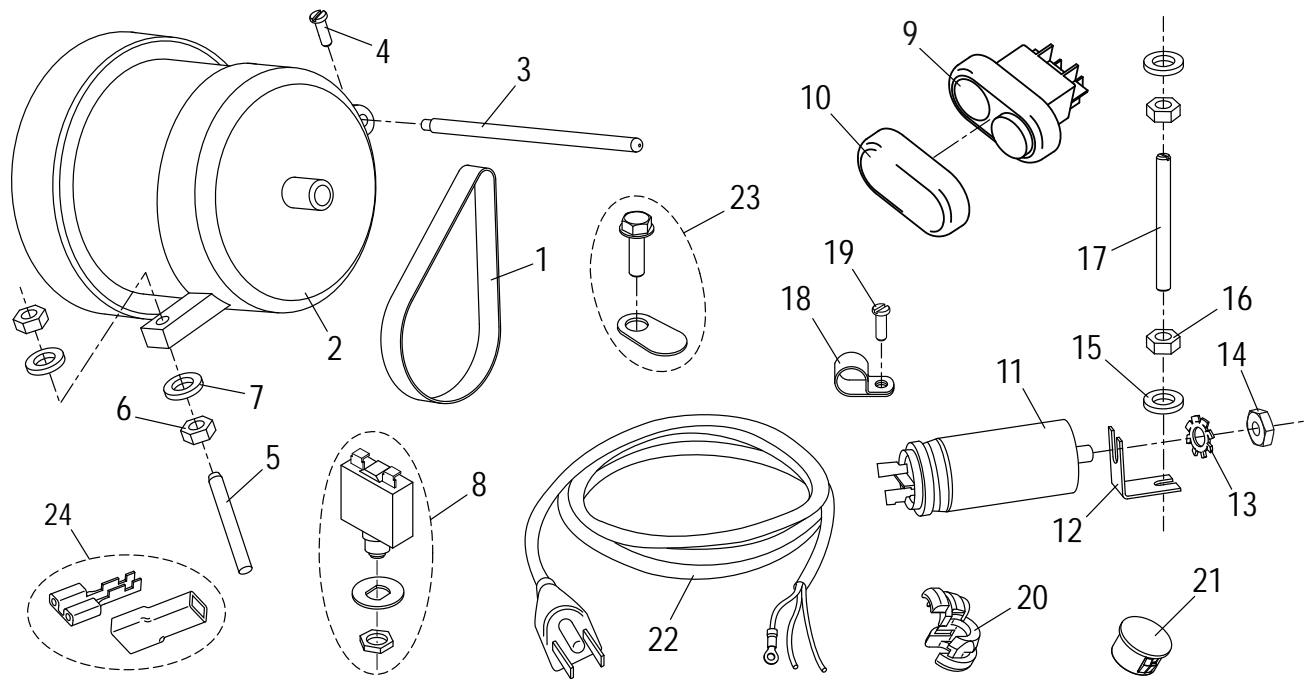
| Item | Description | Qty | Part Number | Standard Hardware |
|------|-----------------------------------|-----|-------------|-------------------|
| 1 | Chute Slide Assembly (Item 2 - 7) | 1 | MC006 | |
| 2 | Chute Slide | 1 | - | |
| 3 | Brass Stud | 1 | M053 | |
| 4 | Stud Nut | 1 | H00192 | M8 Hex Nut |
| 5 | Flat Washer | 2 | H00191 | M8 Flat Washer |
| 6 | Bearing | 1 | MCA29 | |
| 7 | Bearing Mounting Screw | 1 | H00116 | M6x20 Hex Head |
| 8 | Chute Support | 1 | M00346 | |
| 9 | Chute Support Knob | 1 | M00253 | |
| 10 | Chute Release Knob | 1 | M00254 | |
| 11 | Chute | 1 | M00276 | |
| 12 | Endweight Assembly (Item 13 - 15) | 1 | M00264 | |
| 13 | End Weight | 1 | - | |
| 14 | End Weight Handle | 1 | M00257 | |
| 15 | End Weight Bumper | 1 | M108 | |
| 16 | End Weight Rod | 1 | M00258 | |

C10 KNIFE AND SHARPENER COMPONENTS



| Item | Description | Qty | Part Number | Standard Hardware |
|------|---------------------------------|-----|-------------|------------------------|
| 1 | Knife | 1 | MCB13 | |
| 2 | Knife Mounting Screw | 3 | H00200 | M5x10 Flat Head SS |
| 3 | Knife Cover | 1 | MCB4USA | |
| 4 | Sharpener Cover | 1 | MCB11 | |
| 5 | Sharpener Assembly | 1 | M00395 | |
| 6 | Deburring Stone | 1 | M092 | |
| 7 | Sharpening Stone | 1 | M091 | |
| 8 | Sharpener Cover Mounting Screw | 2 | H00187 | M5x16 Cylindrical Head |
| 9 | Sharpener Support | 1 | MCB10 | |
| 10 | Knife Cover Release Knob | 1 | M096 | |
| 11 | Sharpener Support Washer | 1 | H00191 | M8 Flat Washer |
| 12 | Sharpener Support Mounting Bolt | 1 | H00117 | M8x20 Hex Head |

C10 ELECTRICAL COMPONENTS



| Item | Description | Qty | Part Number | Standard Hardware |
|------|-------------------------------|-----|-------------|--------------------------|
| 1 | Drive Belt | 1 | MCB51 | |
| 2 | Knife Motor | 1 | MCL43/2 | |
| 3 | Post, Motor Pivot | 1 | M031 | |
| 4 | Screw | 1 | H00189 | M4x10 Cylindrical Head |
| 5 | Motor Stud | 1 | H00347 | M6x50 Threaded Rod |
| 6 | Motor Nut | 2 | H00020 | M6 Hex Nut |
| 7 | Motor Washer | 2 | H00014 | M6 Flat Washer |
| 8 | Motor Reset Switch | 1 | M038 | |
| 9 | Power Switch | 1 | MCR68 | |
| 10 | Power Switch Cover | 1 | MCR59 | |
| 11 | Capacitor, 16 μ f | 1 | M039 | |
| 12 | Capacitor Mounting Bracket | 1 | - | |
| 13 | Capacitor Lock Washer | 1 | H00335 | M8 Ext Tooth Lock Washer |
| 14 | Capacitor Mounting Nut | 1 | H00192 | M8 Hex Nut |
| 15 | Cover Spacer Washer | 2 | H00063 | M5 Flat Washer |
| 16 | Cover Spacer Nut | 2 | H00028 | M5 Hex Nut |
| 17 | Cover Spacer Stud | 1 | M00369 | M5x55 Threaded Rod |
| 18 | Cable Clamp | 1 | M037 | |
| 19 | Cable Clamp Screw | 1 | H00061 | M5x10 Cylindrical Head |
| 20 | Strain Relief | 1 | M111 | |
| 21 | Hole Plug | 1 | MCC80 | |
| 22 | Power Cord & Plug | 1 | MB65/4F | |
| 23 | Ground Screw/Marking Tab Set | 1 | M00334 | M5x8 Hex Washer Head |
| 24 | Female Terminal/Insulator Set | 8 | M00233 | |

C10 WIRING DIAGRAM 115V, 50/60Hz, 1PH

