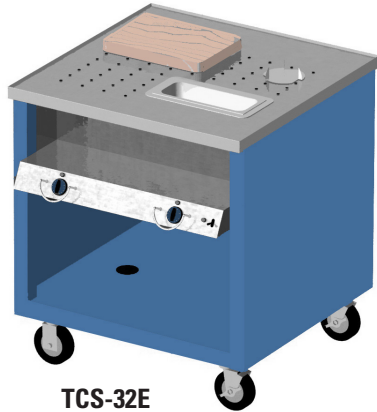




Your Solutions Partner

Specifications

F.O.B Sedalia, Missouri 65301



TCS-32E

OPTIONS:

- Station clear canopy & (2) bullet heat lamps
- Pass-Thru construction
- Hinged doors
- Stainless steel legs
- Veneered plastic laminate panels on body
- Powder coat paint colors
- Kickplates s/s or p/g
- 8' - 10' cord & plug

Approval Stamp(s):

PRODUCT INFORMATION:

PROJECT: _____

ITEM: _____

QUANTITY: _____

MODEL:

Thurmaduke Serving Systems - Carving Station

- TCS-32E 36" H w/stainless steel perforated platform

TOP:

- 16 gauge, 300 Series stainless steel
- Stainless steel perforated platform with "V" edges
- Au jus pan, hardwood carving board, meat spike

BODY:

- Choice of (12) powder coat paint colors (must choose one):

<input type="checkbox"/> #217105 - Designer White	<input type="checkbox"/> #217103 - Natural Almond
<input type="checkbox"/> #217150 - Orange Red	<input type="checkbox"/> #217154 - Racing Red
<input type="checkbox"/> #217107 - Hollyberry Red	<input type="checkbox"/> #217120 - Sky Blue
<input type="checkbox"/> #217127 - Fence Green	<input type="checkbox"/> #217152 - Stone Gray
<input type="checkbox"/> #217102 - Duke Silver	<input type="checkbox"/> #217113 - Brown Kickplate
<input type="checkbox"/> #217101 - Semi-Gloss Black	<input type="checkbox"/> #217125 - Textured Black
- Stainless steel body
- NSF approved 5" diameter polyurethane casters

HEAT COMPARTMENTS:

- Located under platform - sealed wells with brass drains
- Die-stamped food pan openings (2) - 12" x 20"
- Raised beaded edges
- Heating element beneath wells - 120, 208 or 240 volt
- Robertshaw® thermostat, with indicator lights
- Master toggle switch with indicator light
- Controls mounted below top in dish shelf
- Cord and plug - 6 ft.
- Drains copper manifolded to master valve

AGENCY LISTING:



DUKE MANUFACTURING CO.

2305 N. Broadway
St. Louis, MO 63102

800.735.3853 Toll Free
314.231.1130 In Missouri
314.231.5074 Fax
www.dukemfg.com

SHORT FORM SPECIFICATIONS:

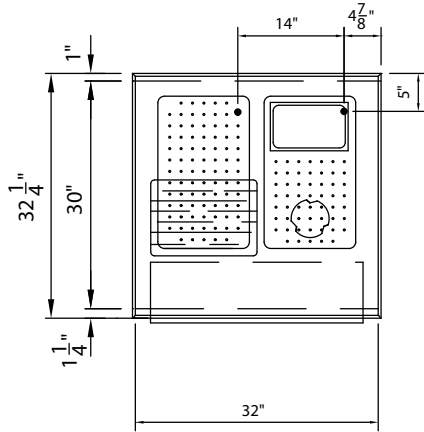
Thurmaduke Serving Systems - Carving Station Unit. Top shall be 16ga, 300 series Stainless Steel flanged down edges, flush at ends. V-edged removable s/s perforated top, 1/3 au jus pan, meat spike, 10" x 14"x 1-1/8" thick maple board. 20ga s/s body open at operator side with 15-1/2" opening for storage w/ recessed dish shelf standard. Two s/s heat wells, 12 x 20 x 6-1/4" deep, drains, manifolds & valve, Robertshaw® thermostats, unit wired to master toggle w/ indicator, 5" dia. NSF approved swivel casters, 2 w/ locks, 6' cord & plug.



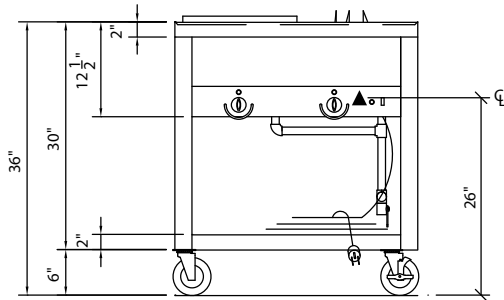
THURMADUKE SERVING SYSTEMS

Carving Station

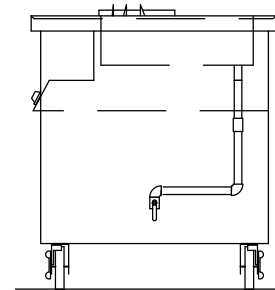
- TCS-32E** 36" H w/stainless steel perforated platform



TOP VIEW



FRONT VIEW



RIGHT SIDE VIEW

DIMENSIONS:

Freight Class: 150

Model	Length		Width		Height		Cube ft. crated	Weight	
	in.	cm	in.	cm	in.	cm		lbs.	kg
TCS-32E	30	76.2	32-1/4	81.9	36	91.4	27.0	250	13.6

ELECTRICAL SPECIFICATIONS: (Consult factory for 3-phases electrical requirements and other options.)

Model	120 Volt - 750 watt elements			208 Volt - 900 watt elements			240 Volt - 1200 watt elements		
	watts	amps	NEMA	watts	amps	NEMA	watts	amps	NEMA
TCS-32E	1500	12.5	5-15	1800	8.7	6-20	2400	10.0	6-20



DUKE MANUFACTURING CO.

2305 N. Broadway
St. Louis, MO 63102

800.735.3853 Toll Free
800.231.1130 In Missouri
314.231.5074 Fax
www.dukemfg.com

Specification subject to change