

**In Stock and ready to ship within  
24 hrs. Guaranteed!**



Perlick Express items may not be combined with standard ship items.

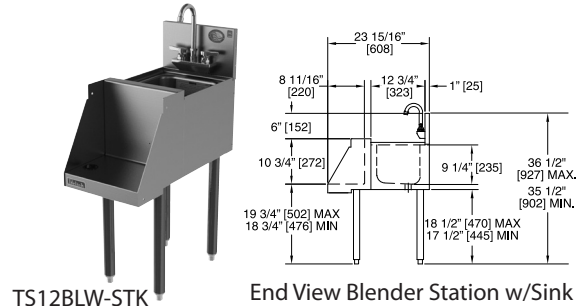
## Quick Ship Free Standing Underbar Modules.

Underbar modules are built and shipped as individual pieces with its own 6" backsplash and front apron. Each 18-9/16" deep module ships with a complete set of legs. Freestanding units provide maximum design flexibility to respond to unforeseen obstacles at the jobsite.

### 12" Blender Station with faucet

- Deep drawn stainless steel bowl with NSF listed hot/cold faucet.
- Stainless steel legs install without tools and have rust-free thermoplastic feet.
- Convenient front-mounted shelf with access hole for electrical cord.

Blender Station				
Part No.	Description	List Price	Length	Ship Wt. (lbs.)
TS12BLW-STK	12" Blender Station w/faucet	<b>\$1,411.00</b>	12"	50



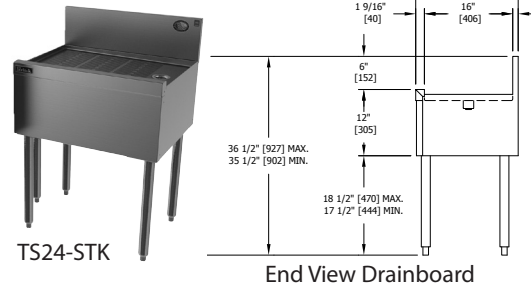
TS12BLW-STK

End View Blender Station w/Sink

### 24" Drainboard

- Embossed drain tops with pitch drain dries glassware faster with minimal surface contact and no spotting at the contact points.
- Stainless steel legs install without tools and have rust-free thermoplastic feet.

Drainboard				
Part No.	Description	List Price	Length	Ship Wt. (lbs.)
TS24-STK	24" Drainboard	<b>\$831.00</b>	24"	45



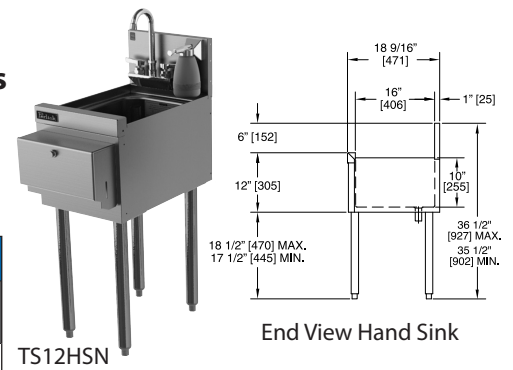
TS24-STK

End View Drainboard

### 12" Hand sink with faucet, dispensers for soap and paper towels

- Deep drawn stainless steel bowl with NSF-listed, hot/cold faucet.
- 16 oz. pump soap dispenser.
- Dispenser for folded paper towels.
- Stainless steel legs install without tools and have rust-free thermoplastic legs.

Hand Sink						
Part No.	Description	List Price	Soap Disp. Mounting	Towel Type	Length	Ship Wt. (lbs.)
TS12HSN-STK	12" Hand Sink w/faucet	<b>\$1,737.00</b>	Splash	Folded	12"	50

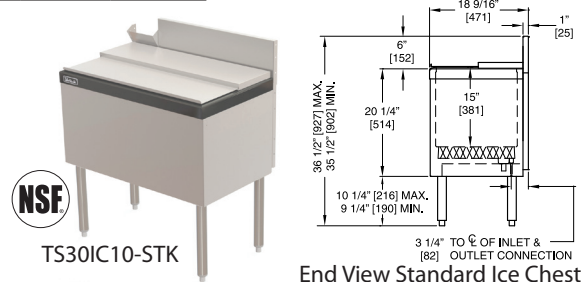


TS12HSN

End View Hand Sink

### Ice Chests

- Ice Chest has Patented Concealed 10 circuit cold plate for improved sanitation.
- Includes cover and soda gun chase.
- Dent-resistant ABS top ledge.
- Foamed in-place polyurethane walls.
- Stainless steel legs install without tools and have rust-free thermoplastic legs.



TS30IC10-STK

End View Standard Ice Chest

Ice Chests					
Part No.	Description	List Price	Ice Cap. (lbs.)	Ship Wt. (lbs.)	No. of Cold Plate Circuits
TS24IC10-STK	24" Chest w/10 Circuit cold plate w/cover and soda gun chase	<b>\$2,809.00</b>	50	130	10
TS30IC10-STK	30" Chest w/10 Circuit cold plate w/cover and soda gun chase	<b>\$2,954.00</b>	70	140	10
TS36IC10-STK	36" Chest w/10 Circuit cold plate w/cover and soda gun chase	<b>\$3,081.00</b>	85	150	10

To place an order contact your Perlick Sales Rep or email your purchase order to [auto@perlick.com](mailto:auto@perlick.com)

8300 West Good Hope Road • Milwaukee, WI 53223 • Phone 414.353.7060 • Fax 414.353.7069

800.558.5592 • [info@perlick.com](mailto:info@perlick.com) • [www.perlick.com](http://www.perlick.com)